

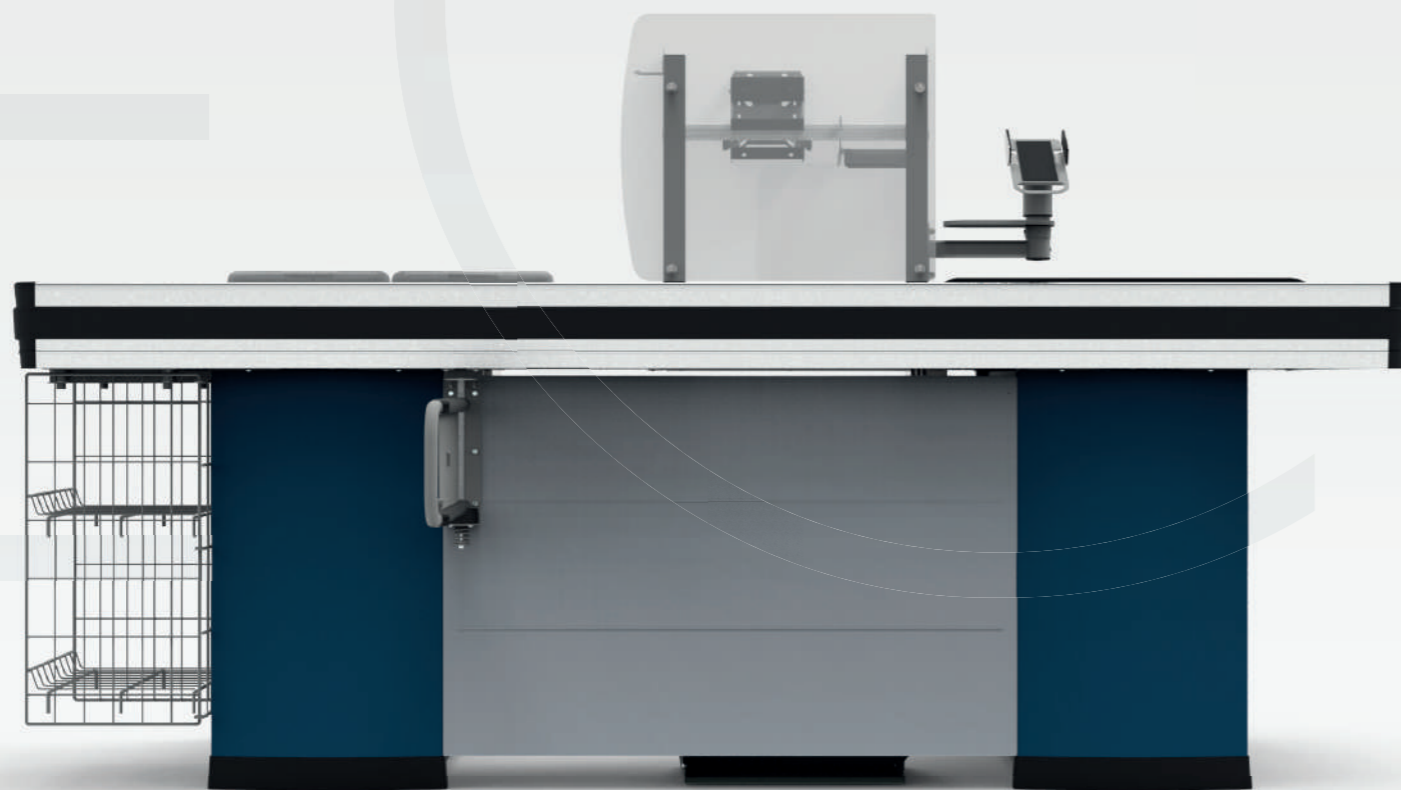
ECK

CHECK-OUT COUNTER LINE

A simple and defined style characterises the new Intrac check-out counters line.

ECK line is featured by high level components and technology, that guarantee the quality standard of the brand.

According to different requires we can customise the check out in its aesthetic and functional aspect, improving the workplace conditions and the purchasing experience.



CHECK-OUT COUNTER LINE

ECK PSCV

Area

- HYPERSTORE
- SUPERSTORE
- CONVENIENCE STORE
- SPECIALISED SHOP
- DISCOUNT
- CASH & CARRY

Medium Receipt Entity

- <20 €
- 20÷40 €
- >40 €

Ergonomics Operator

- BASSA
- MEDIUM
- ALTA

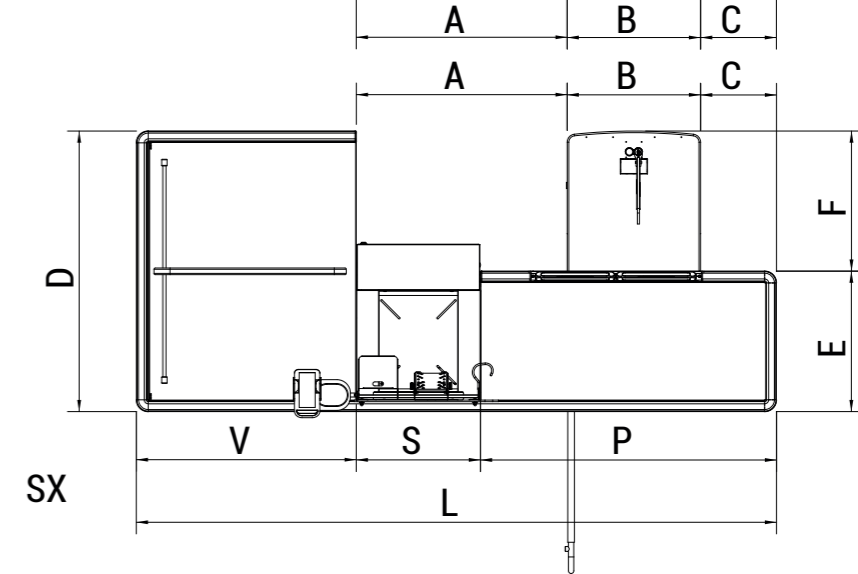
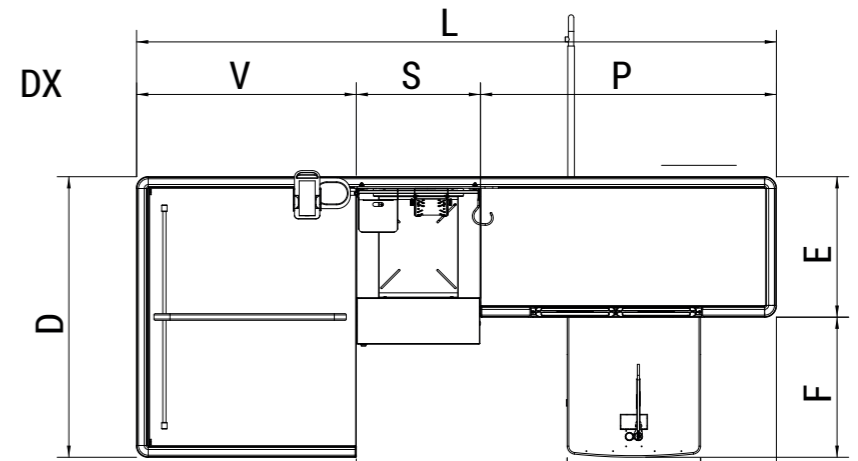
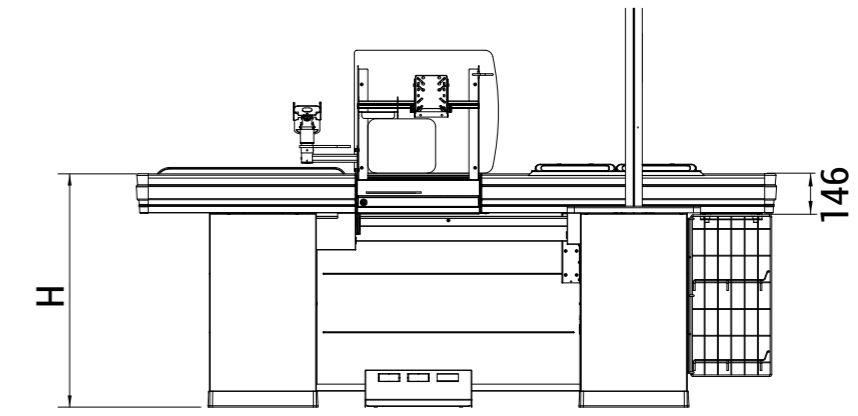
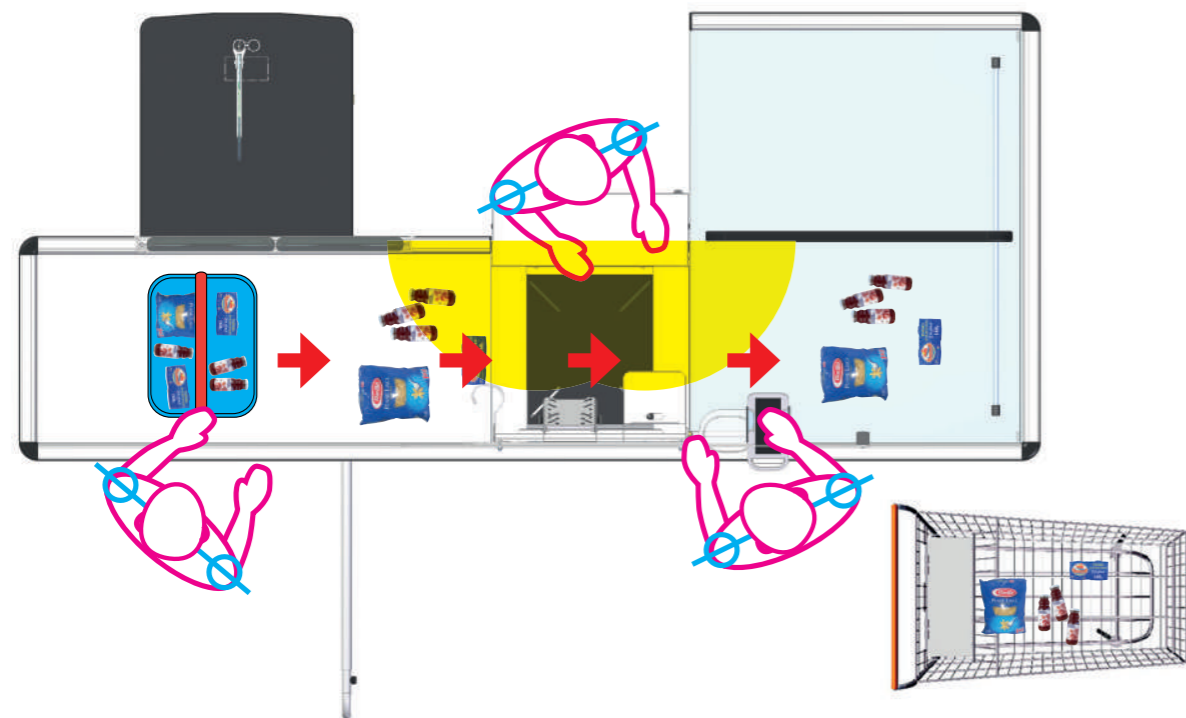
Control Level

- CASHIER
- DIY
- SELF SCAN
- AUTOMATIC SCAN
- TROLLEY
- CASH MANAGEMENT
- RF/MAG TAG
- OPERATOR
- OPERATOR/CUSTOMER
- CUSTOMER

Livello di Servizio al Cliente

- LOW
- NORMAL (EUROPEAN STANDARD)
- HIGH
- EXTRA FOR DISABLED
- EXTRA FOR PREGNANT
- EXTRA FOR ONE QUEUE

ERGONOMICS - grasping area



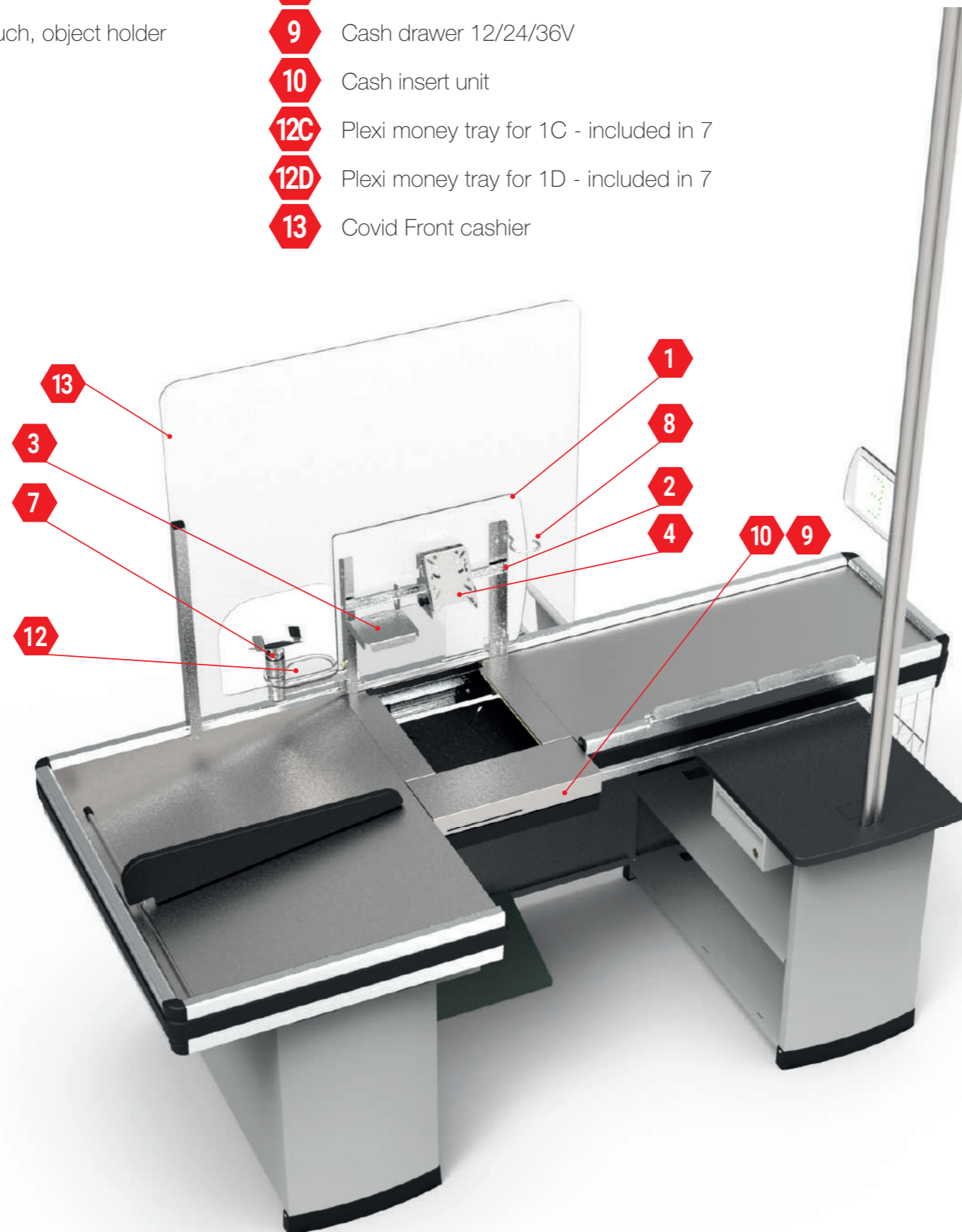
MODEL

Model	L (mm) standard* drawer	N (mm)	S (mm) standard* drawer	V (mm)	A (mm)	B (mm)	C (mm)	D (mm)	E (mm)	F (mm)	H (mm)
PSCV 180	1800	710	465	625	675	500	0	1050	525	525	870
PSCV 200	2000	710	465	825	675	500	0	1050	525	525	870
PSCV 220	2200	910	465	825	800	500	75	1050	525	525	870
PSCV 240	2400	1110	465	825	800	500	275	1050	525	525	870

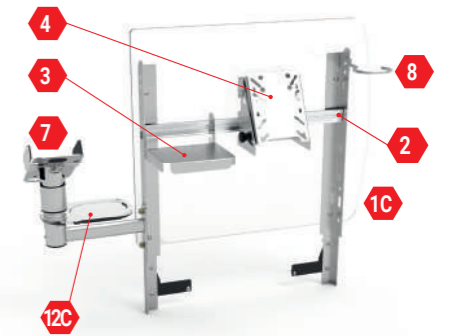
* Width = 460mm
12006999_ECK-PSCV - Rev 01 05-2021

FRONT CASHIER ACCESSORIES

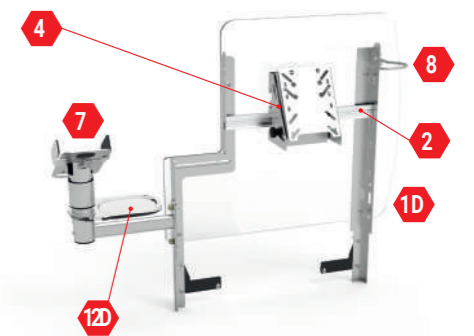
- 1** Scanner protection
- 2** Connection for keyboard, touch, object holder
- 3** Object holder
- 4** Keyboard-touch support
- 5** Wide-angle lens
- 7** Rotating pin pad holder
- 8** Scanner holding hook
- 9** Cash drawer 12/24/36V
- 10** Cash insert unit
- 12C** Plexi money tray for 1C - included in 7
- 12D** Plexi money tray for 1D - included in 7
- 13** Covid Front cashier



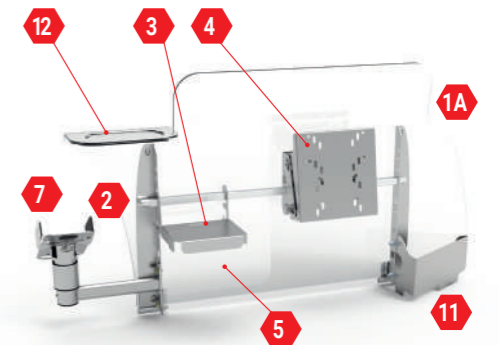
ECK PSCV



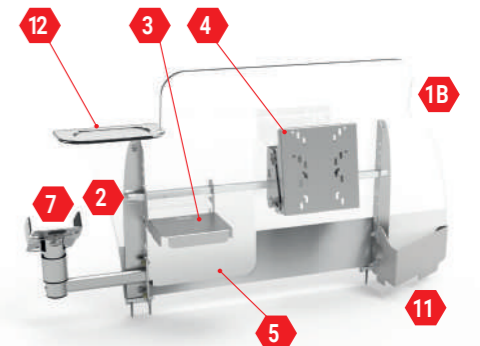
1C ECK scanner protection set



1D ECK-9800 scanner protection set



1A S-ELIPSE scanner protection set



1B S-ELIPSE scanner protection set with opaque set

CUSTOMER SERVICE ACCESSORIES

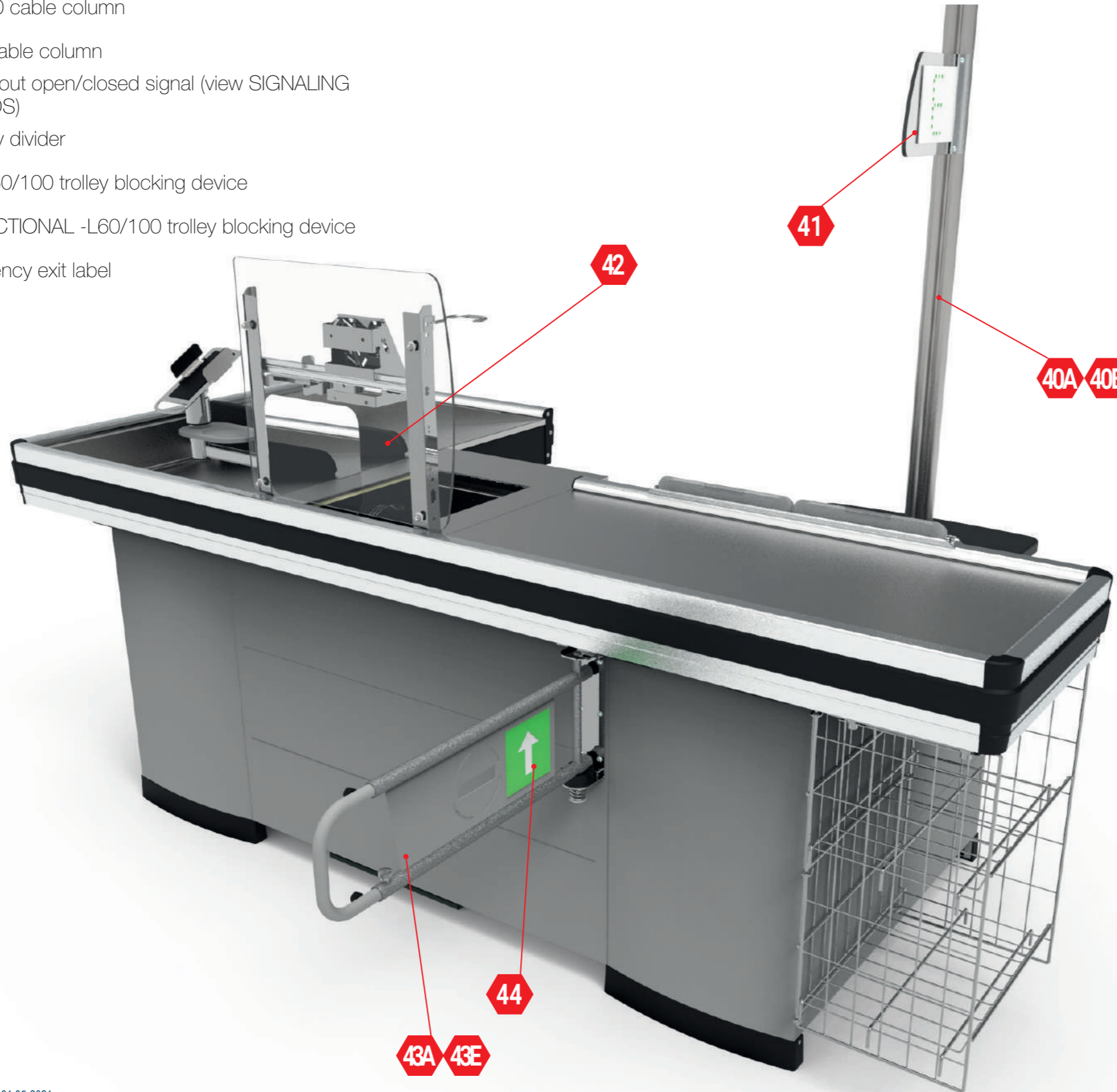
- 20A** Auxiliary socket 2 Schuko
- 20B** Auxiliary socket 4 Schuko
- 21** Additional cables support standard
- 23A** Front cpu-service fixed shelf
- 23B** Rear cpu-service fixed shelf
- 25** Fastening to the ground assembly
- 26** Check-out stool with back
- 27** Adjustable footboard with pedal housing
- 28** Under basin drawer
- 29** Under shelf drawer
- 34** Internal base leg integrated
- 36** Half-leg closing door with cpu-service fixed shelf



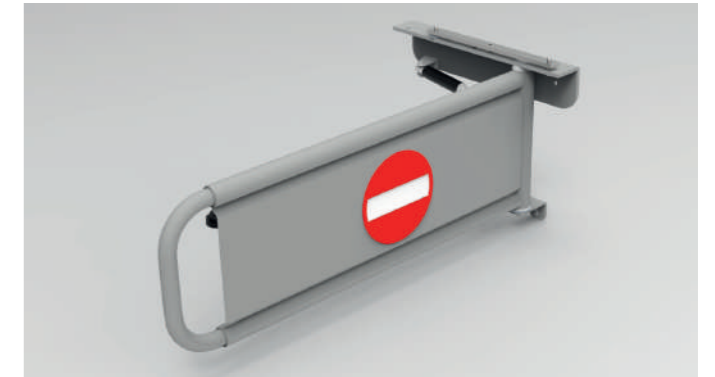
20 Auxiliary socket

FUNCTION ENHANCEMENT ACCESSORIES

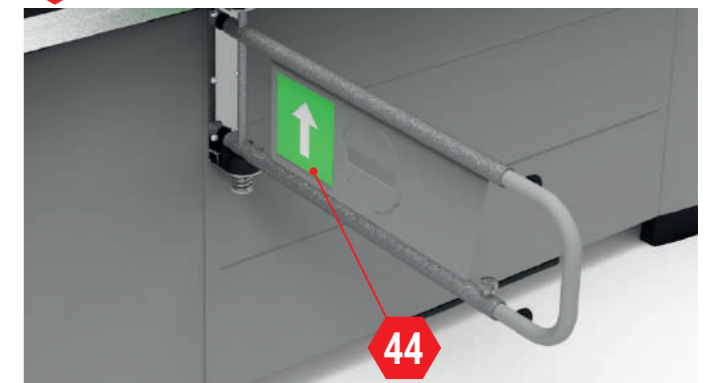
- 40A** 100X70 cable column
- 40B** 2X30 cable column
- 41** Check-out open/closed signal (view SIGNALING BOARDS)
- 42** Grocery divider
- 43A** H20-L60/100 trolley blocking device
- 43E** BIDIRECTIONAL -L60/100 trolley blocking device
- 44** Emergency exit label



40 Cable column



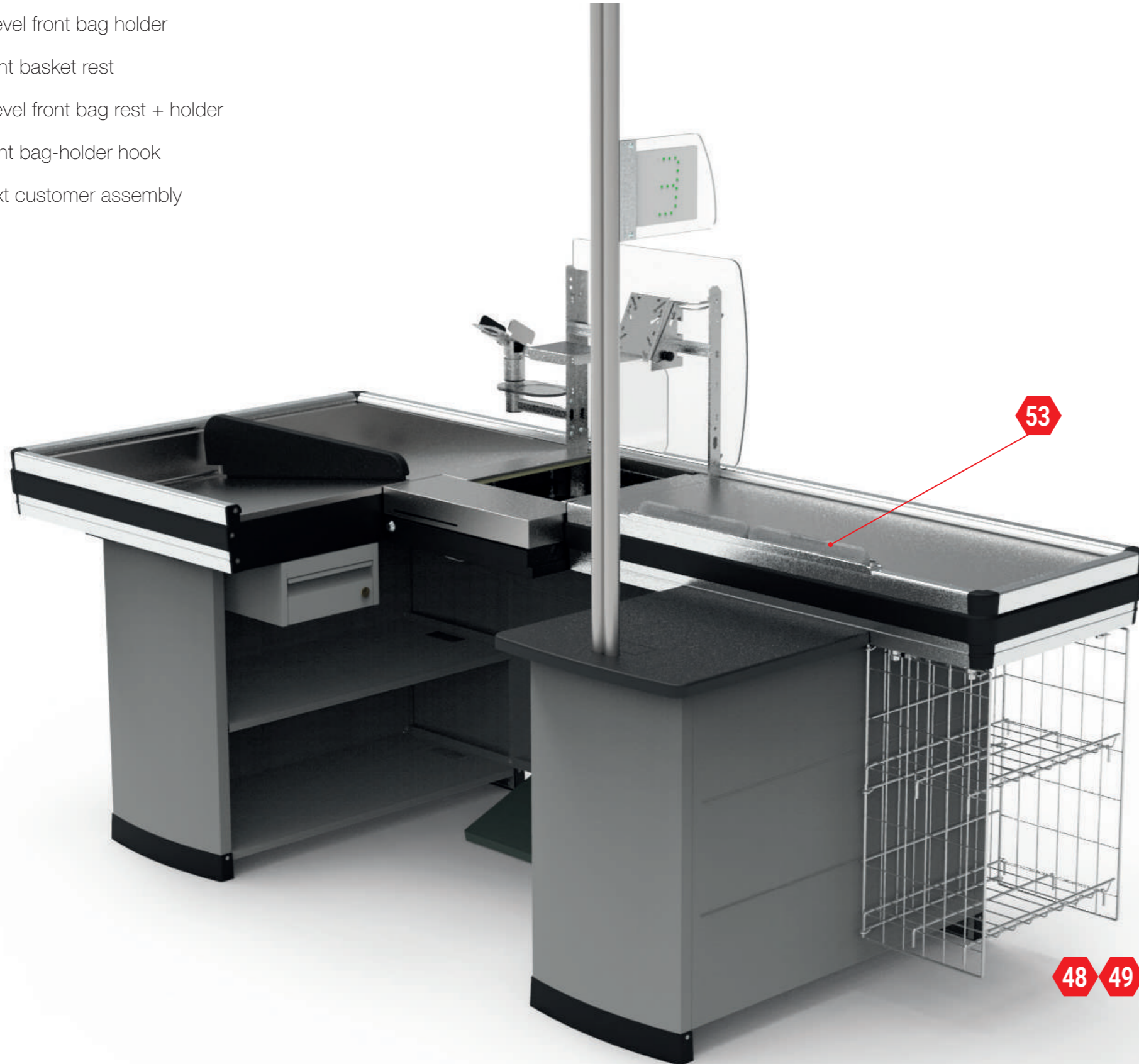
43A Trolley blocking device



43E BIDIRECTIONAL Trolley blocking device

FUNCTION ENHANCEMENT ACCESSORIES

- 49 2-level front bag holder
- 50 Front basket rest
- 51 2-level front bag rest + holder
- 52 Front bag-holder hook
- 53 Next customer assembly



51 2-level front bag rest (50) + holder (49)



52 Front bag-holder hook

ECK

CHECK-OUT COUNTER LINE

A simple and defined style characterises the new Intrac check-out counters line.

ECK line is featured by high level components and technology, that guarantee the quality standard of the brand.

According to different requires we can customise the check out in its aesthetic and functional aspect, improving the workplace conditions and the purchasing experience.



CHECK-OUT COUNTER LINE

ECK PSCVD

Area

- HYPERSTORE
- SUPERSTORE
- CONVENIENCE STORE
- SPECIALISED SHOP
- DISCOUNT
- CASH & CARRY

Medium Receipt Entity

- <20 €
- 20÷40 €
- >40 €

Ergonomics Operator

- BASSA
- MEDIUM
- ALTA

Control Level

- CASHIER
- DIY
- SELF SCAN
- AUTOMATIC SCAN
- TROLLEY

CASH MANAGEMENT

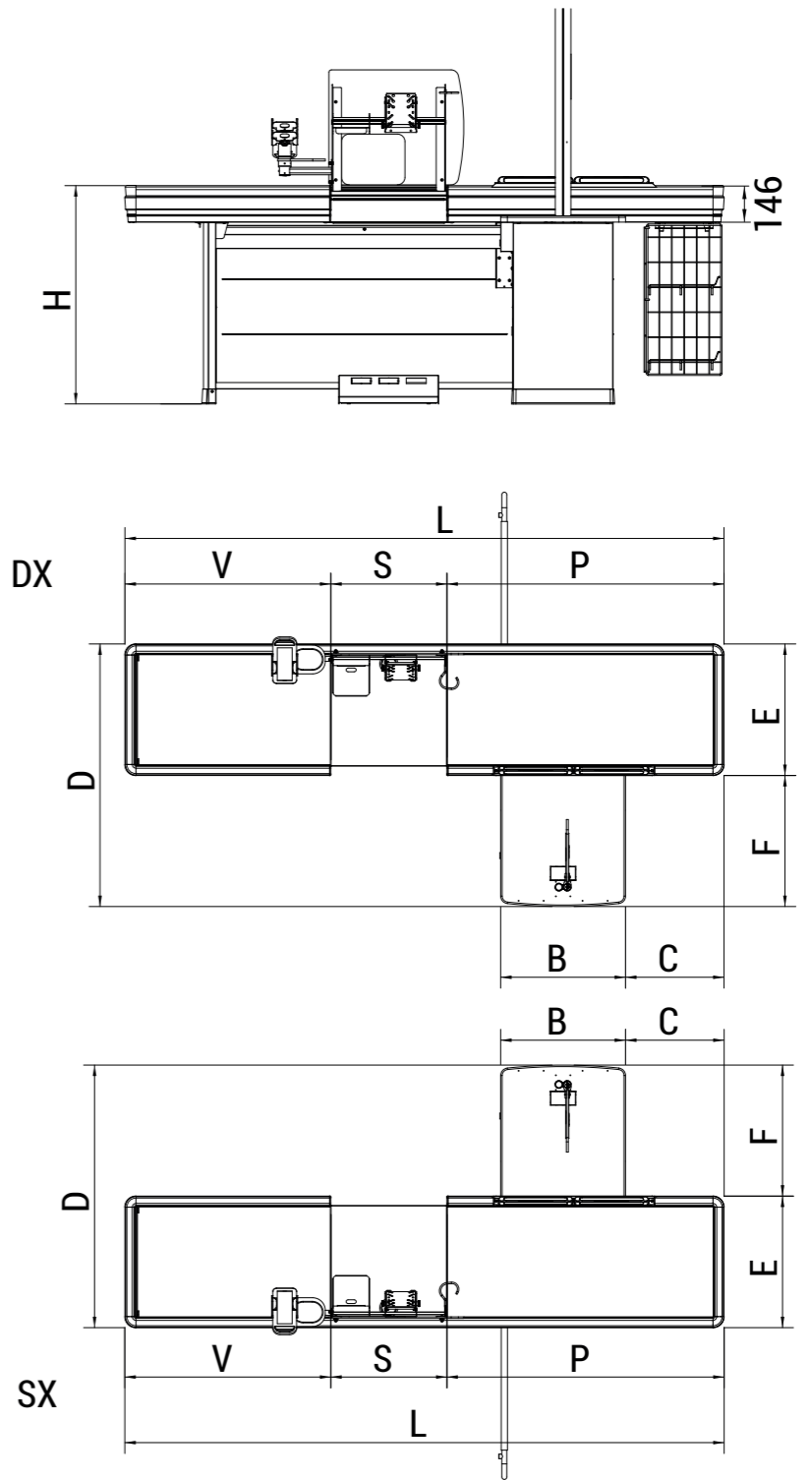
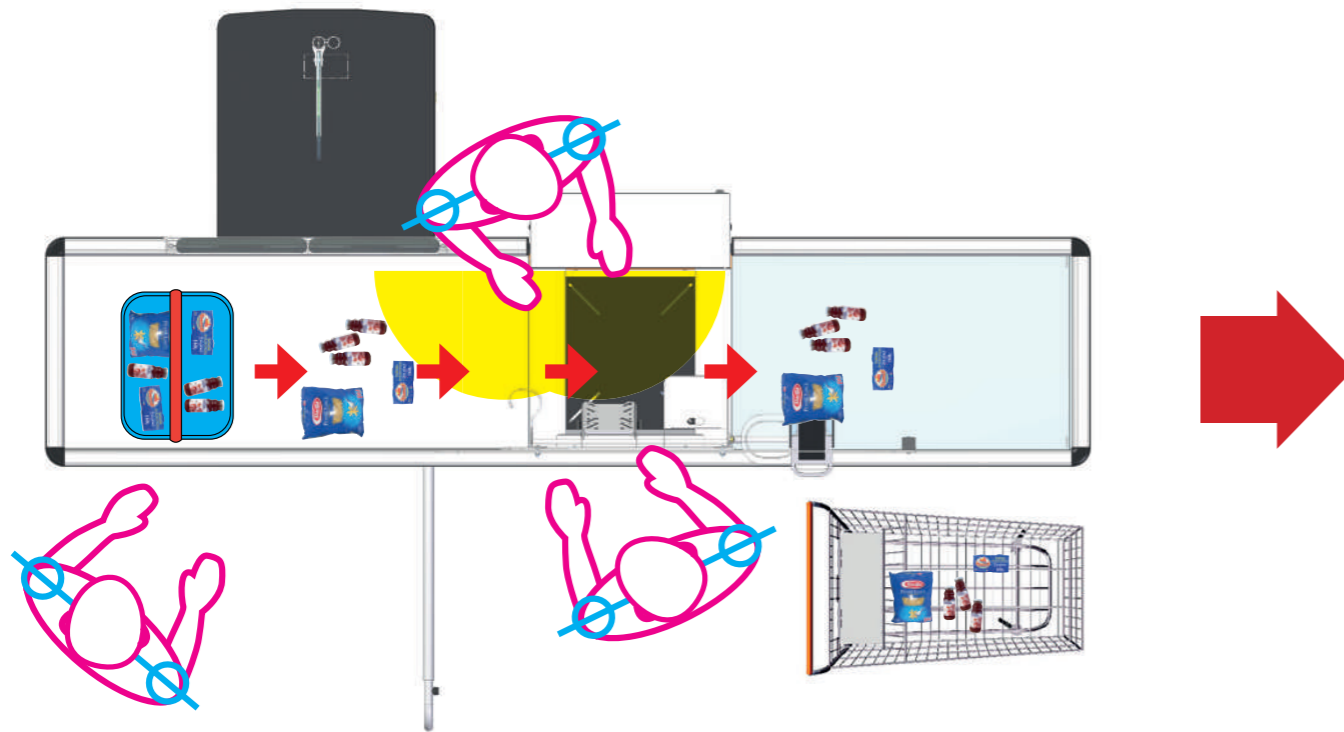
- OPERATOR
- OPERATOR/CUSTOMER
- CUSTOMER

RF/MAG TAG

Livello di Servizio al Cliente

- LOW
- NORMAL (EUROPEAN STANDARD)
- HIGH
- EXTRA FOR DISABLED
- EXTRA FOR PREGNANT
- EXTRA FOR ONE QUEUE

ERGONOMICS - grasping area



MODEL

Model	L (mm) standard* drawer	N (mm)	S (mm) standard* drawer	V (mm)	A (mm)	B (mm)	C (mm)	D (mm)	E (mm)	F (mm)	H (mm)
PSCVD 140	1400	510	465	425		500	0	1050	525	525	870
PSCVD 160	1600	510	465	625		500	0	1050	525	525	870
PSCVD 180	1800	710	465	625		500	95	1050	525	525	870
PSCVD 200	2000	710	465	825		500	75	1050	525	525	870
PSCVD 220	2200	910	465	825		500	275	1050	525	525	870
PSCVD 240	2400	1110	465	825		500	375	1050	525	525	870

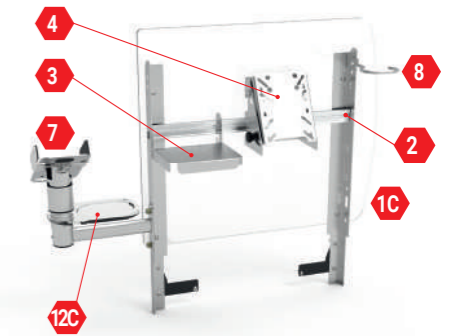
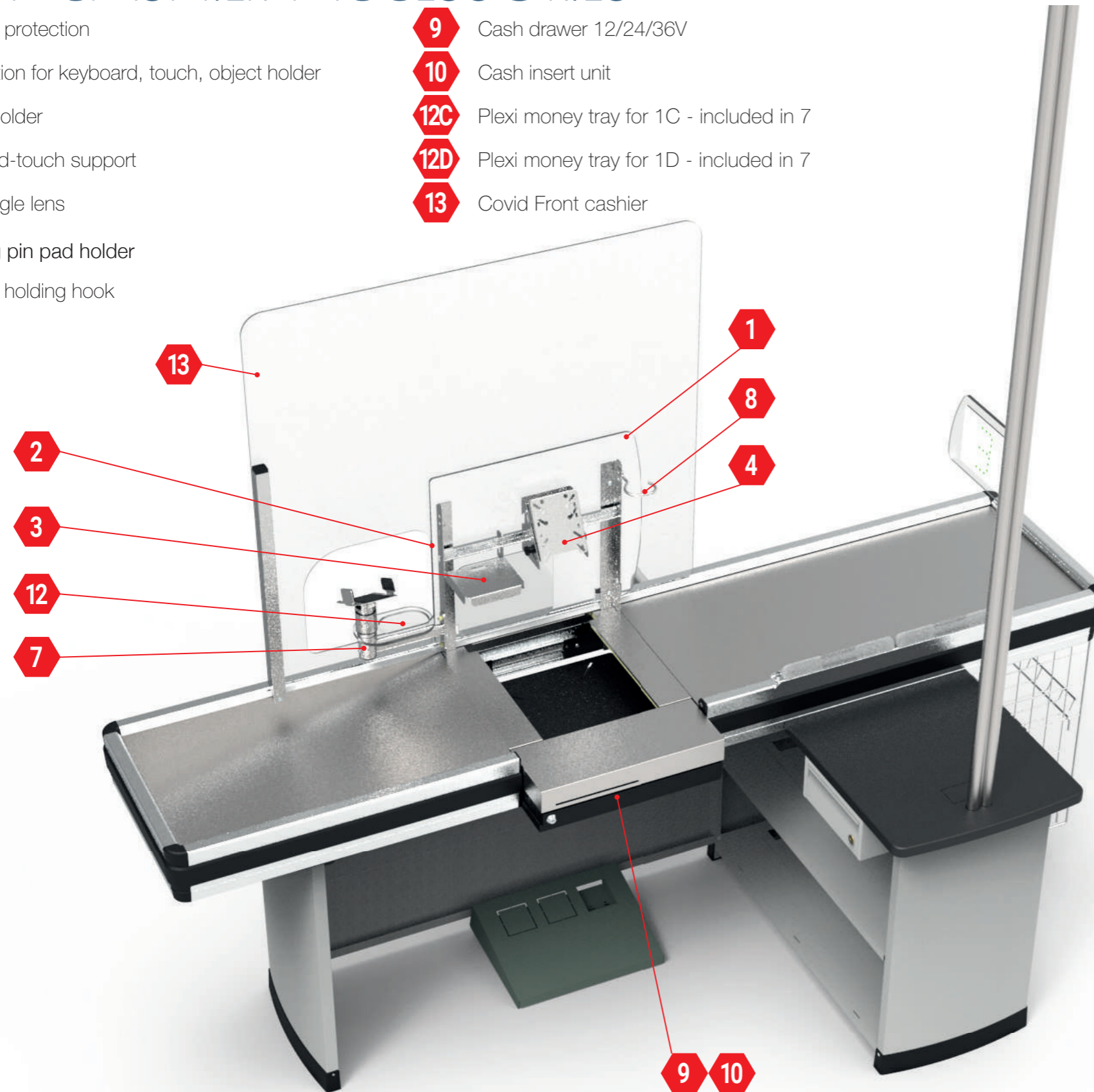
* Width = 460mm

12007808_ECK-PSCVD - Rev 01 05-2021

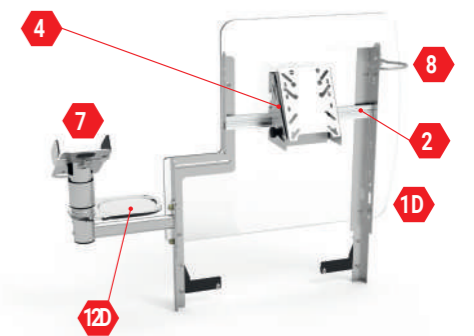
INTRAC®

FRONT CASHIER ACCESSORIES

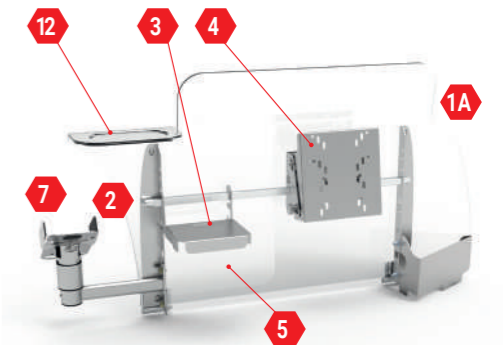
- 1** Scanner protection
- 2** Connection for keyboard, touch, object holder
- 3** Object holder
- 4** Keyboard-touch support
- 5** Wide-angle lens
- 7** Rotating pin pad holder
- 8** Scanner holding hook
- 9** Cash drawer 12/24/36V
- 10** Cash insert unit
- 12C** Plexi money tray for 1C - included in 7
- 12D** Plexi money tray for 1D - included in 7
- 13** Covid Front cashier



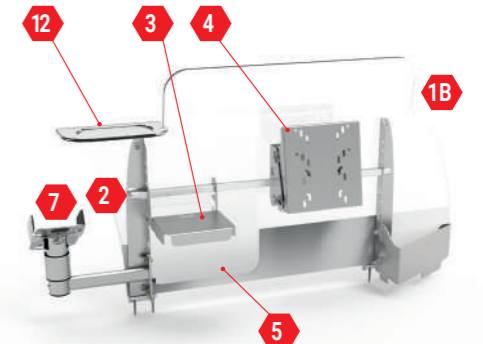
1C ECK scanner protection set



1D ECK-9800 scanner protection set



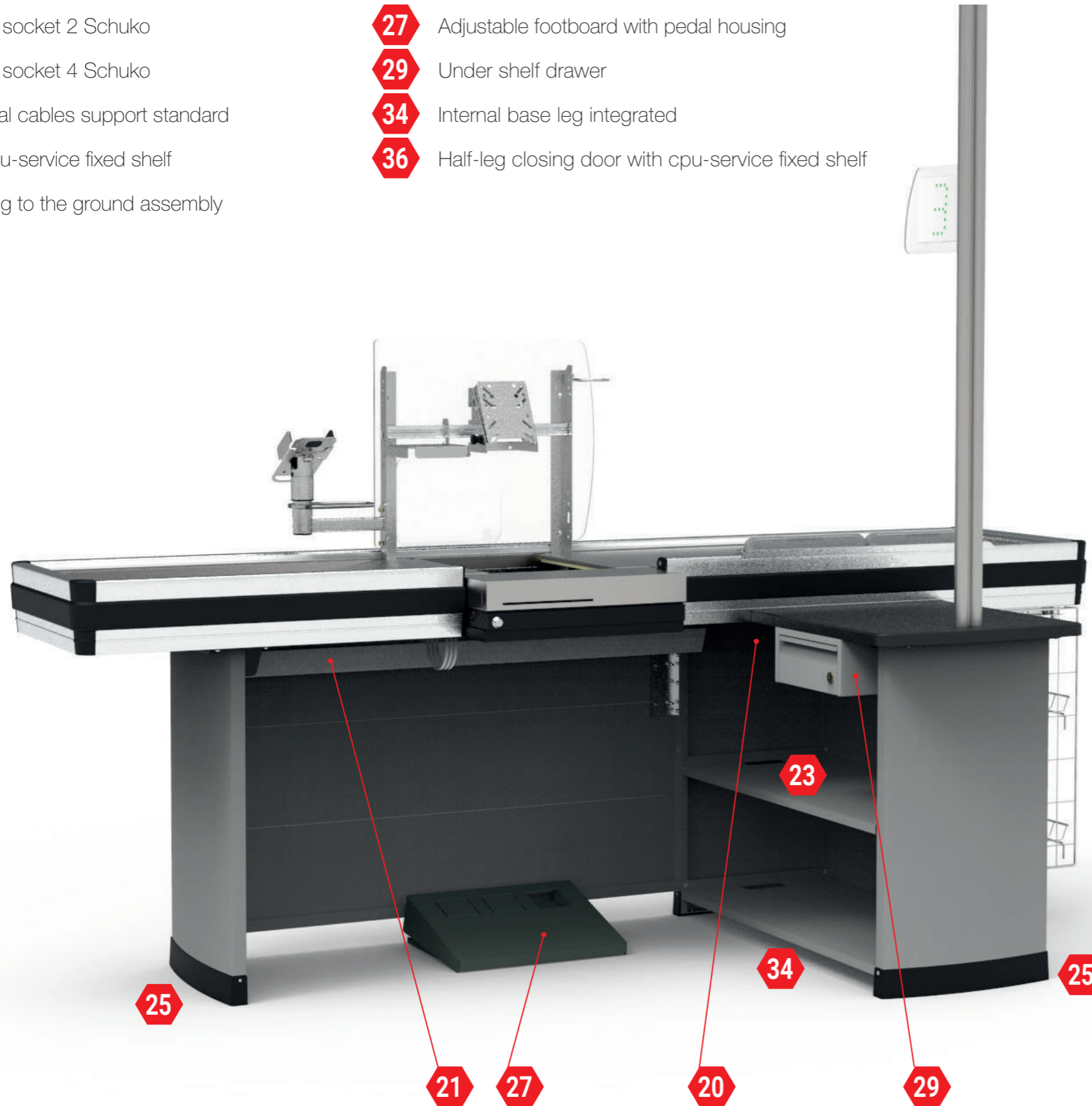
1A S-ELIPSE scanner protection set



1B S-ELIPSE scanner protection set with opaque set

CUSTOMER SERVICE ACCESSORIES

- 20A** Auxiliary socket 2 Schuko
- 20B** Auxiliary socket 4 Schuko
- 21** Additional cables support standard
- 23A** Front cpu-service fixed shelf
- 25** Fastening to the ground assembly
- 27** Adjustable footboard with pedal housing
- 29** Under shelf drawer
- 34** Internal base leg integrated
- 36** Half-leg closing door with cpu-service fixed shelf



20 Auxiliary socket

FUNCTION ENHANCEMENT ACCESSORIES



- 40A** 100X70 cable column
- 40B** 2X30 cable column
- 41** Check-out open/closed signal (view SIGNALING BOARDS)
- 43A** H20-L60/100 trolley blocking device
- 43E** BIDIRECTIONAL -L60/100 trolley blocking device
- 44** Emergency exit label

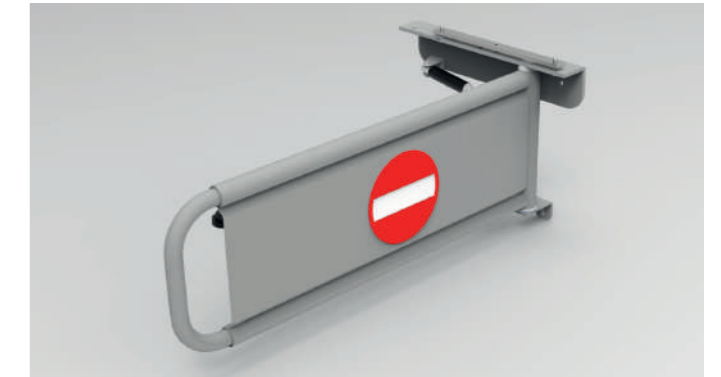
40A



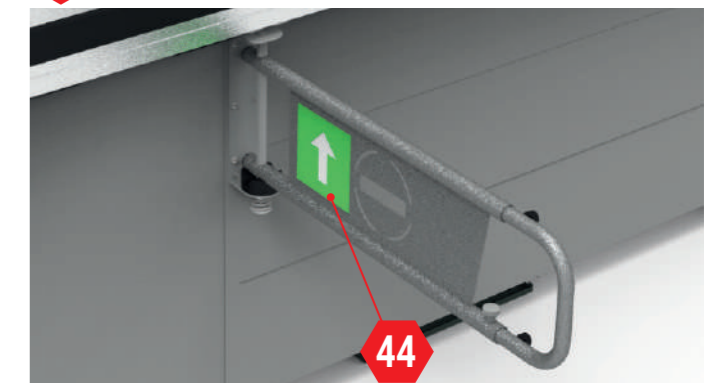
40B



40 Cable column



43A Trolley blocking device



43E BIDIRECTIONAL trolley blocking device

44

43A

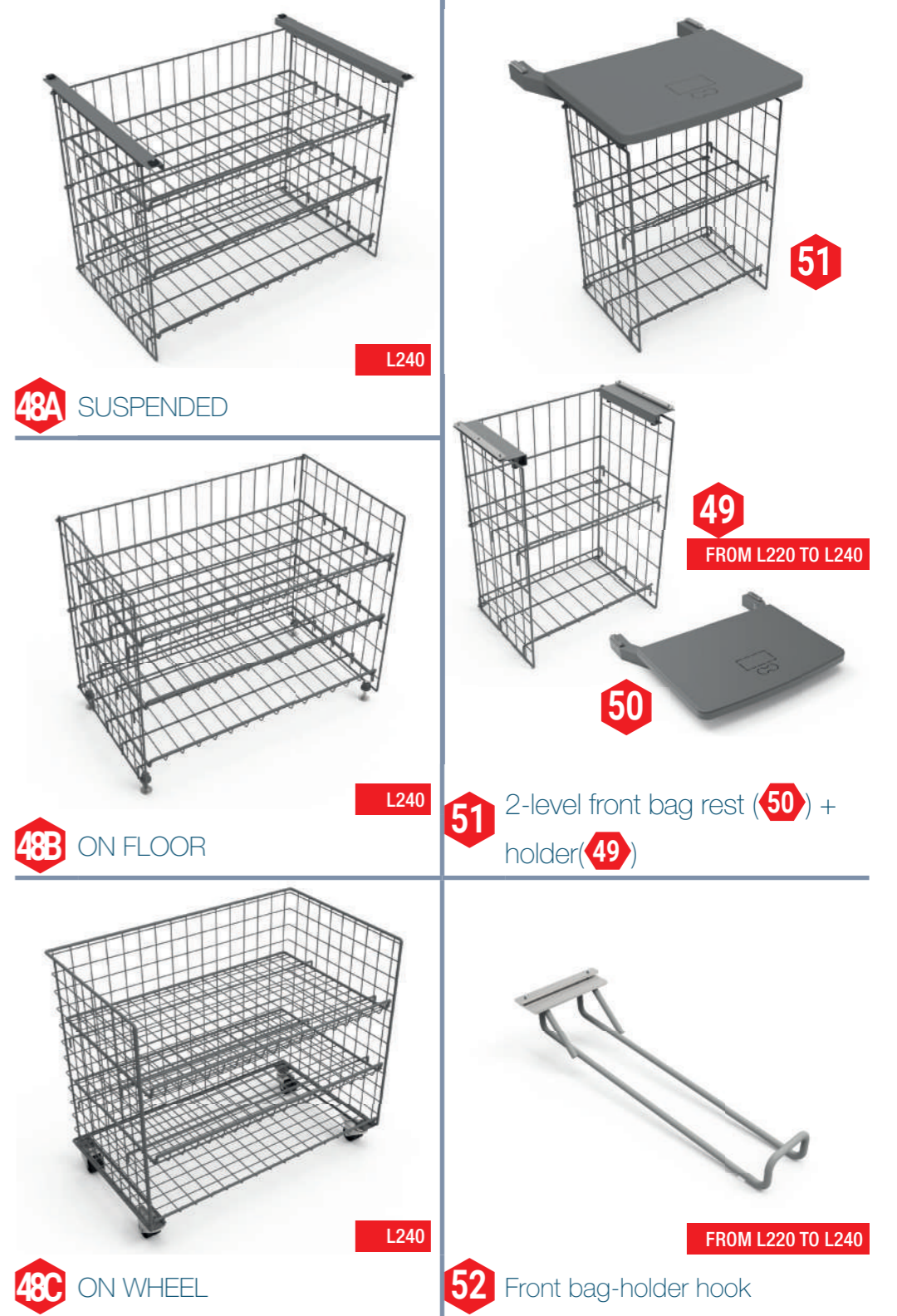
43E

FUNCTION ENHANCEMENT ACCESSORIES

- 48A** 2/3-level suspended lateral front bag holder
- 48B** 2/3-level on floor lateral front wire bag holder
- 48C** 3-level on wheel lateral front wire bag holder
- 49** 2-level front bag holder
- 50** Front basket rest
- 51** 2-level front bag rest + holder
- 52** Front bag-holder hook
- 53** Next customer assembly



48 49 50 51



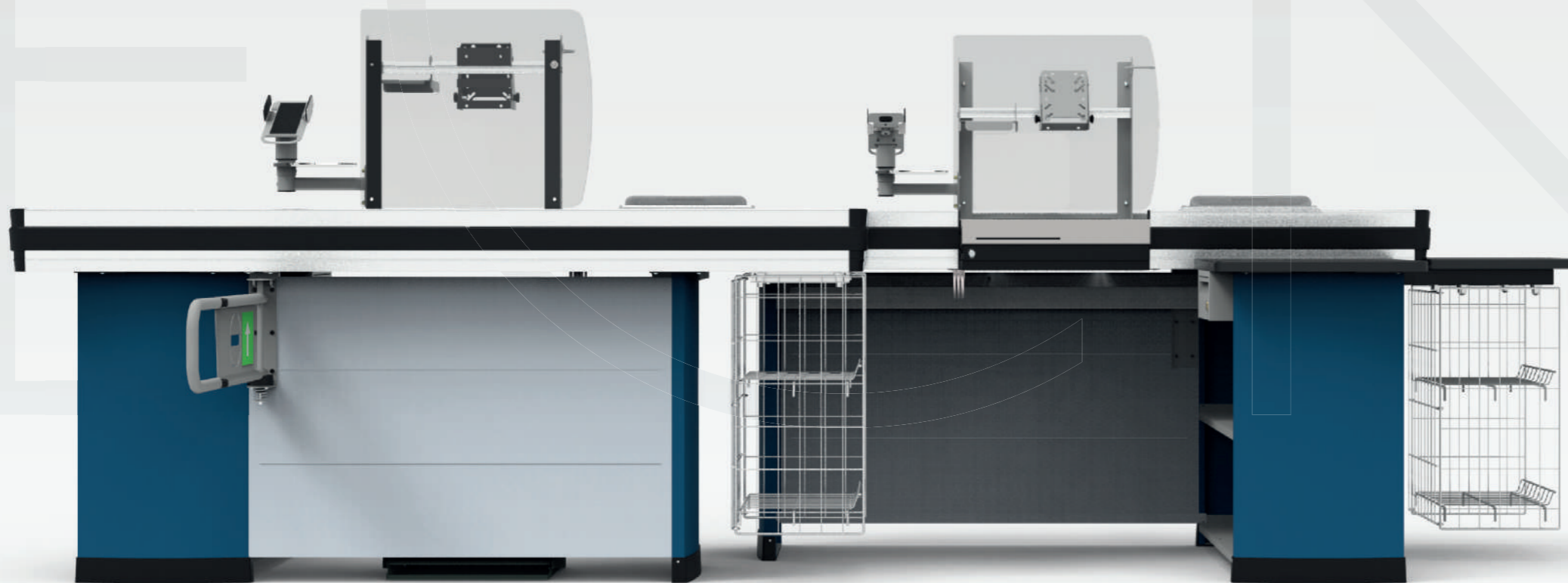
ECK

CHECK-OUT COUNTER LINE

A simple and defined style characterises the new Intrac check-out counters line.

ECK line is featured by high level components and technology, that guarantee the quality standard of the brand.

According to different requires we can customise the check out in its aesthetic and functional aspect, improving the workplace conditions and the purchasing experience.



CHECK-OUT COUNTER LINE

ECK TANDEM-S

- Area**
- HYPERSTORE
 - SUPERSTORE
 - CONVENIENCE STORE
 - SPECIALISED SHOP
 - DISCOUNT
 - CASH & CARRY

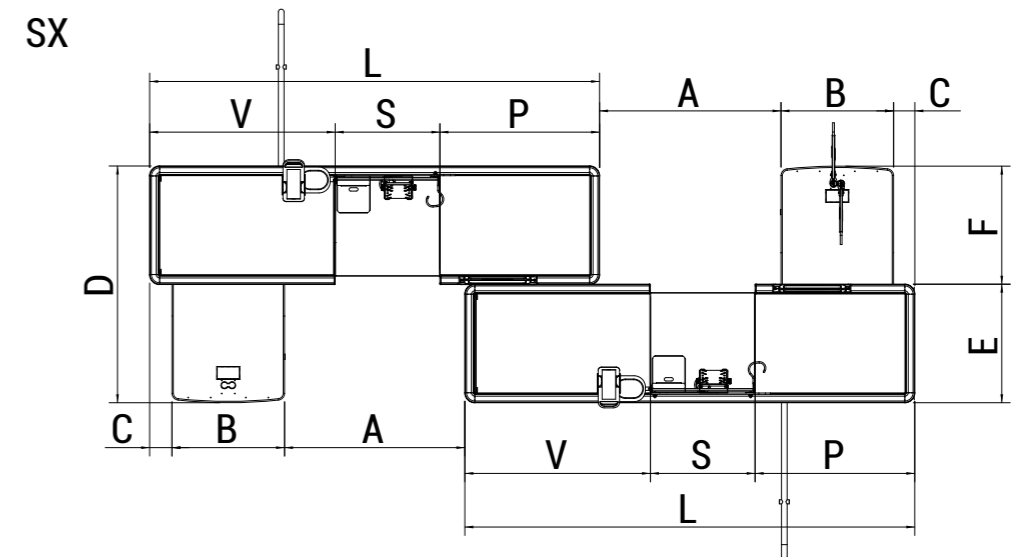
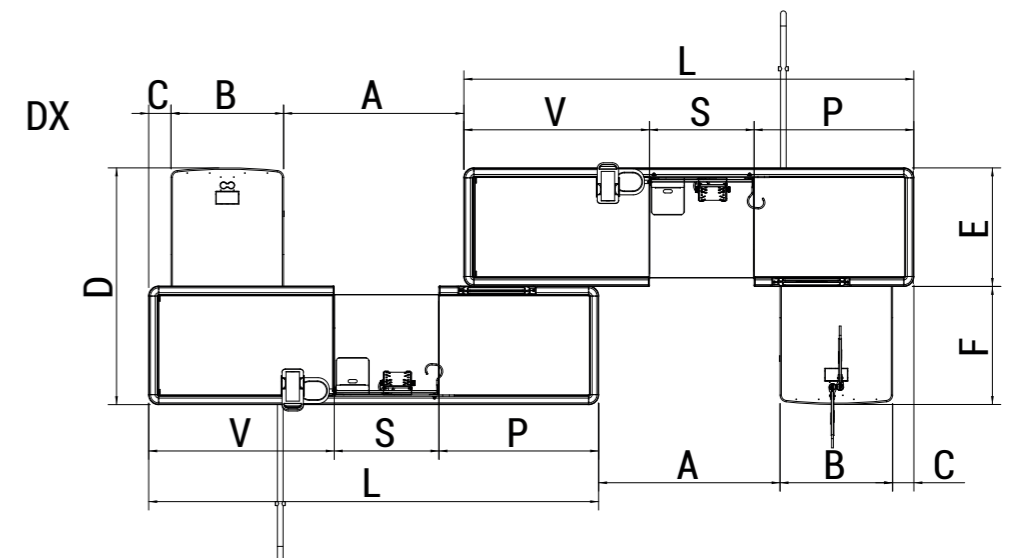
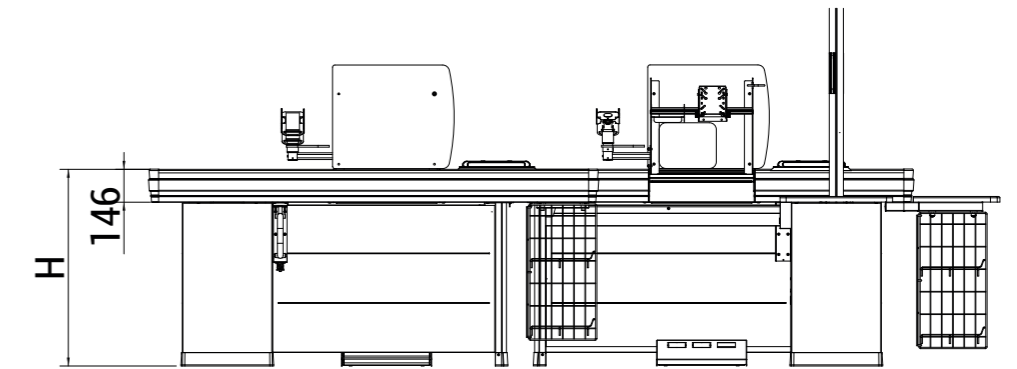
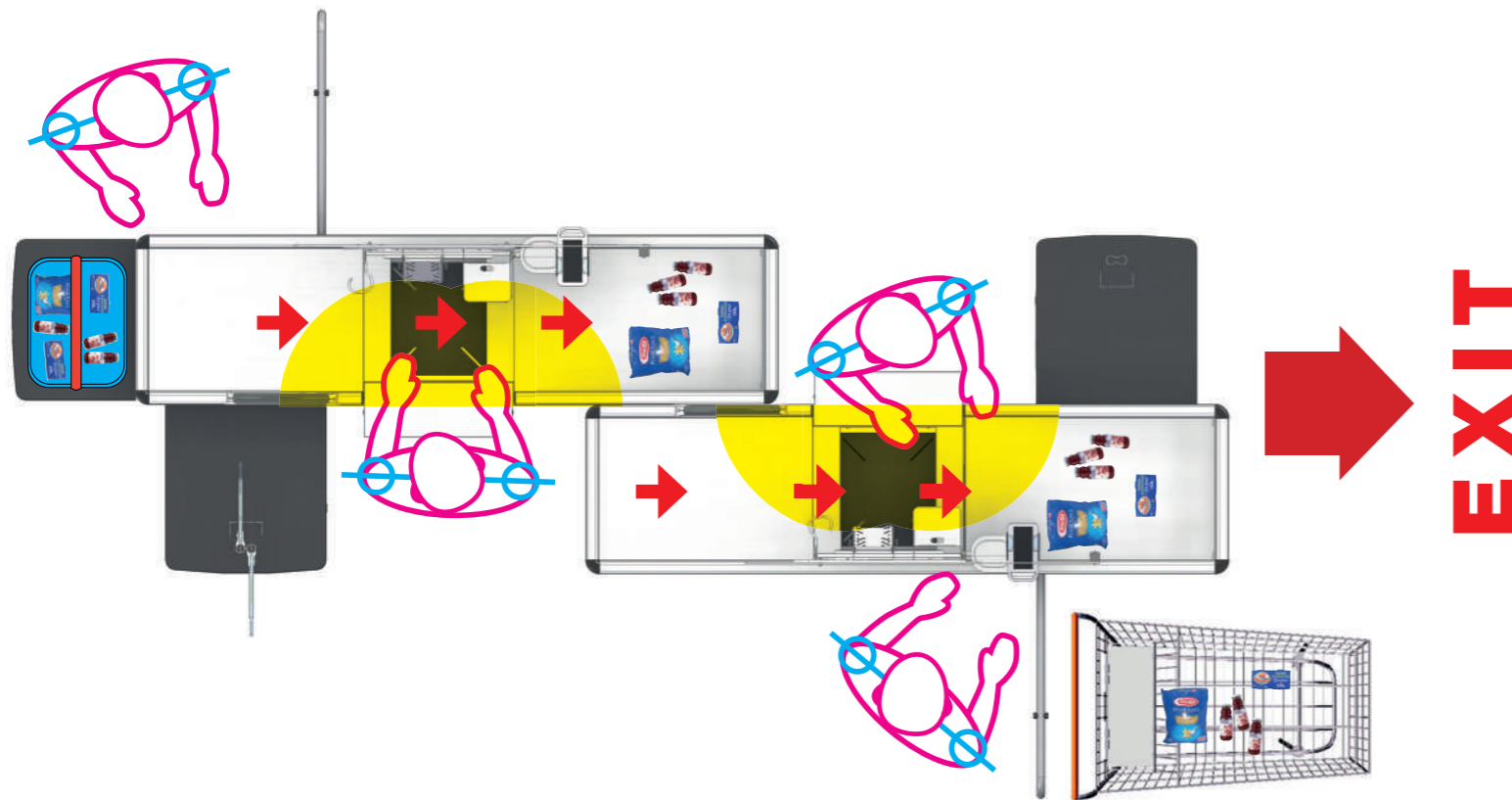
- Medium Receipt Entity**
- <20 €
 - 20÷40 €
 - >40 €

- Ergonomics Operator**
- BASSA
 - MEDIUM
 - ALTA

- Control Level**
- CASHIER
 - DIY
 - SELF SCAN
 - AUTOMATIC SCAN
 - TROLLEY
 - CASH MANAGEMENT
 - RF/MAG TAG
 - OPERATOR
 - OPERATOR/CUSTOMER
 - CUSTOMER

- Livello di Servizio al Cliente**
- LOW
 - NORMAL (EUROPEAN STANDARD)
 - HIGH
 - EXTRA FOR DISABLED
 - EXTRA FOR PREGNANT
 - EXTRA FOR ONE QUEUE

ERGONOMICS - grasping area



MODEL

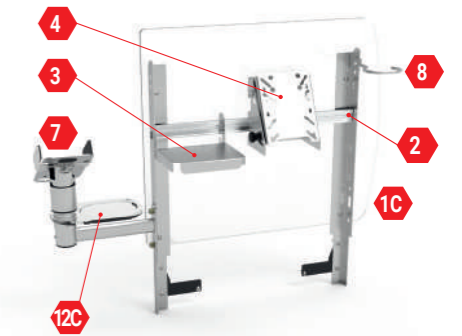
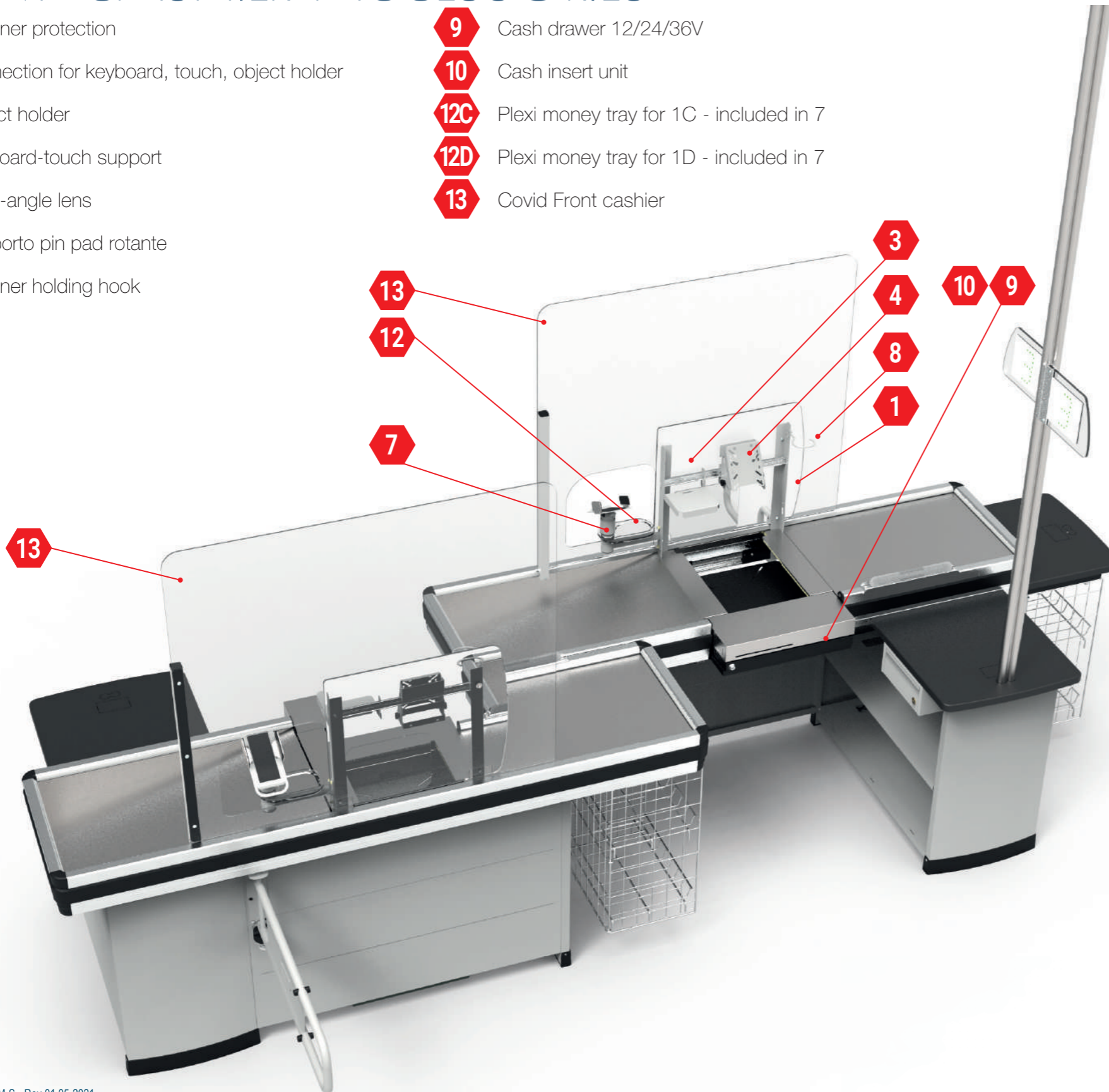
Model	L (mm) standard* drawer	N (mm)	S (mm) standard* drawer	V (mm)	A (mm)	B (mm)	C (mm)	D (mm)	E (mm)	F (mm)	H (mm)
TANDEM 295 R	1600	510	465	625	850	500	0	1050	525	525	870
TANDEM 295 L	1600	510	465	625	850	500	0	1050	525	525	870
TANDEM 325 R	1800	710	465	625	855	500	95	1050	525	525	870
TANDEM 325 L	1800	710	465	625	850	500	100	1050	525	525	870
TANDEM 345 R	2000	710	465	825	855	500	95	1050	525	525	870
TANDEM 345 L	2000	710	465	825	850	500	100	1050	525	525	870

* Width = 460mm

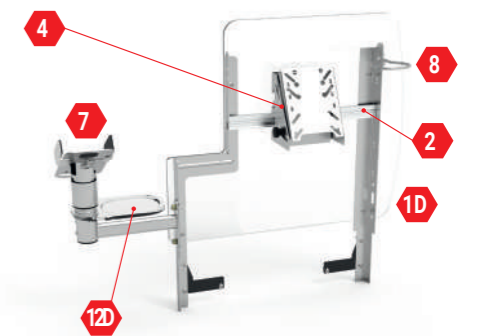
12007810_ECK-TANDEM-S - Rev 01 05-2021

FRONT CASHIER ACCESSORIES

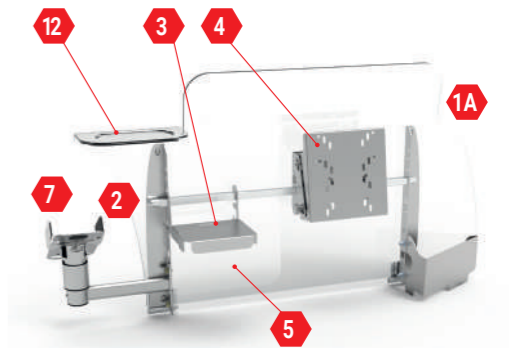
- 1** Scanner protection
- 2** Connection for keyboard, touch, object holder
- 3** Object holder
- 4** Keyboard-touch support
- 5** Wide-angle lens
- 7** Supporto pin pad rotante
- 8** Scanner holding hook
- 9** Cash drawer 12/24/36V
- 10** Cash insert unit
- 12C** Plexi money tray for 1C - included in 7
- 12D** Plexi money tray for 1D - included in 7
- 13** Covid Front cashier



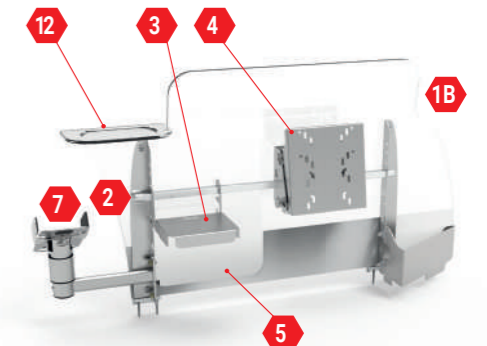
1C ECK scanner protection set



1D ECK-9800 scanner protection set



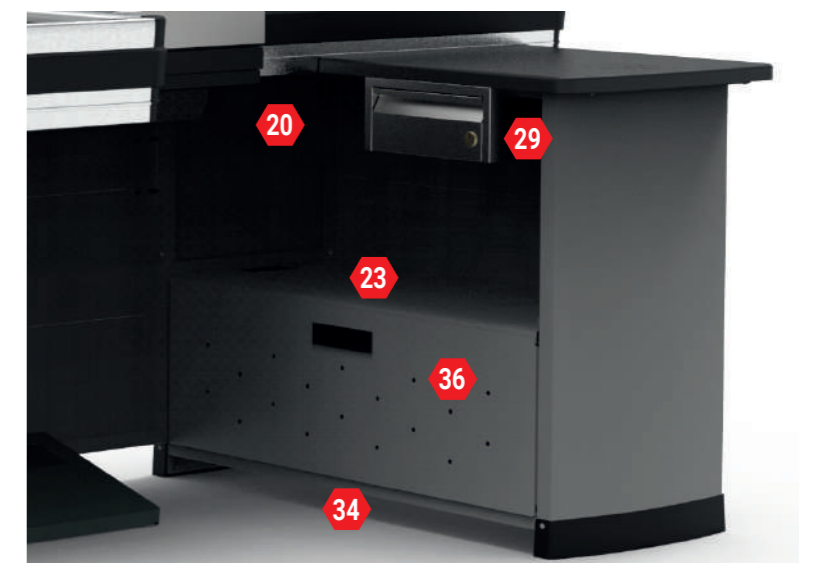
1A S-ELIPSE scanner protection set



1B S-ELIPSE scanner protection set with opaque set

CUSTOMER SERVICE ACCESSORIES

- 20A** Auxiliary socket 2 Schuko
- 20B** Auxiliary socket 4 Schuko
- 21** Additional cables support (included as standard)
- 23A** Front cpu-service fixed shelf (dxr/sxl)
- 23B** Rear cpu-service fixed shelf (dxl/sxr)
- 25** Fastening to the ground assembly
- 26** Check-out stool with back
- 27** Adjustable footboard with pedal housing
- 29** Under shelf drawer
- 34** Internal base leg (included as standard)
- 36** Half-leg closing door with cpu-service fixed shelf



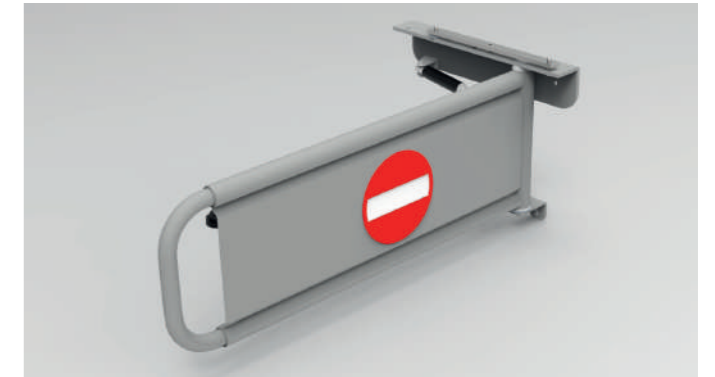
20 Auxiliary socket

FUNCTION ENHANCEMENT ACCESSORIES

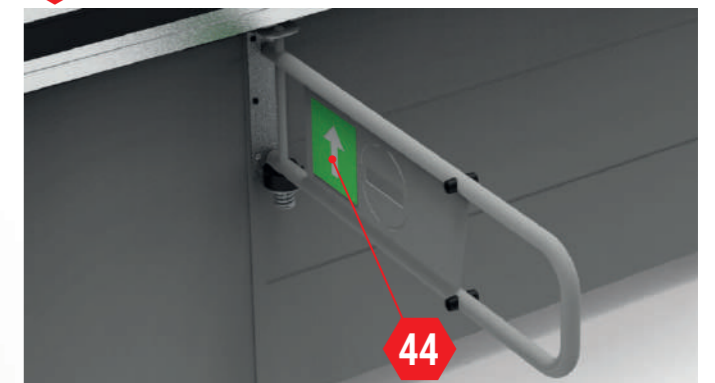
- 40A** 100X70 cable column
- 40B** 2X30 cable column
- 41** Check-out open/closed signal (view SIGNALING BOARDS)
- 43A** H20-L60/100 trolley blocking device
- 43D** BIDIRECTIONAL -L60/100 trolley blocking device
- 44** Emergency exit label



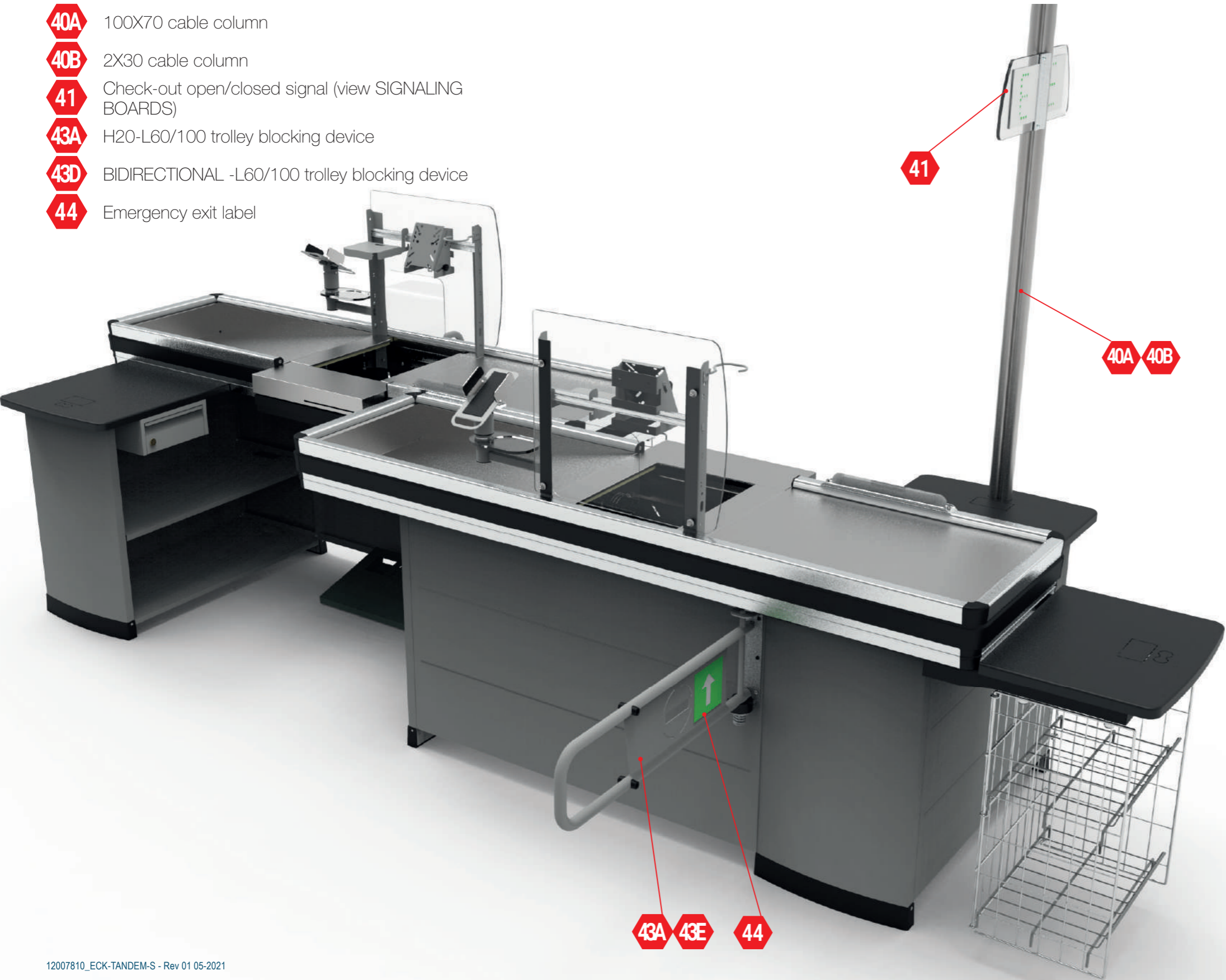
40 Cable column



43A Trolley blocking device



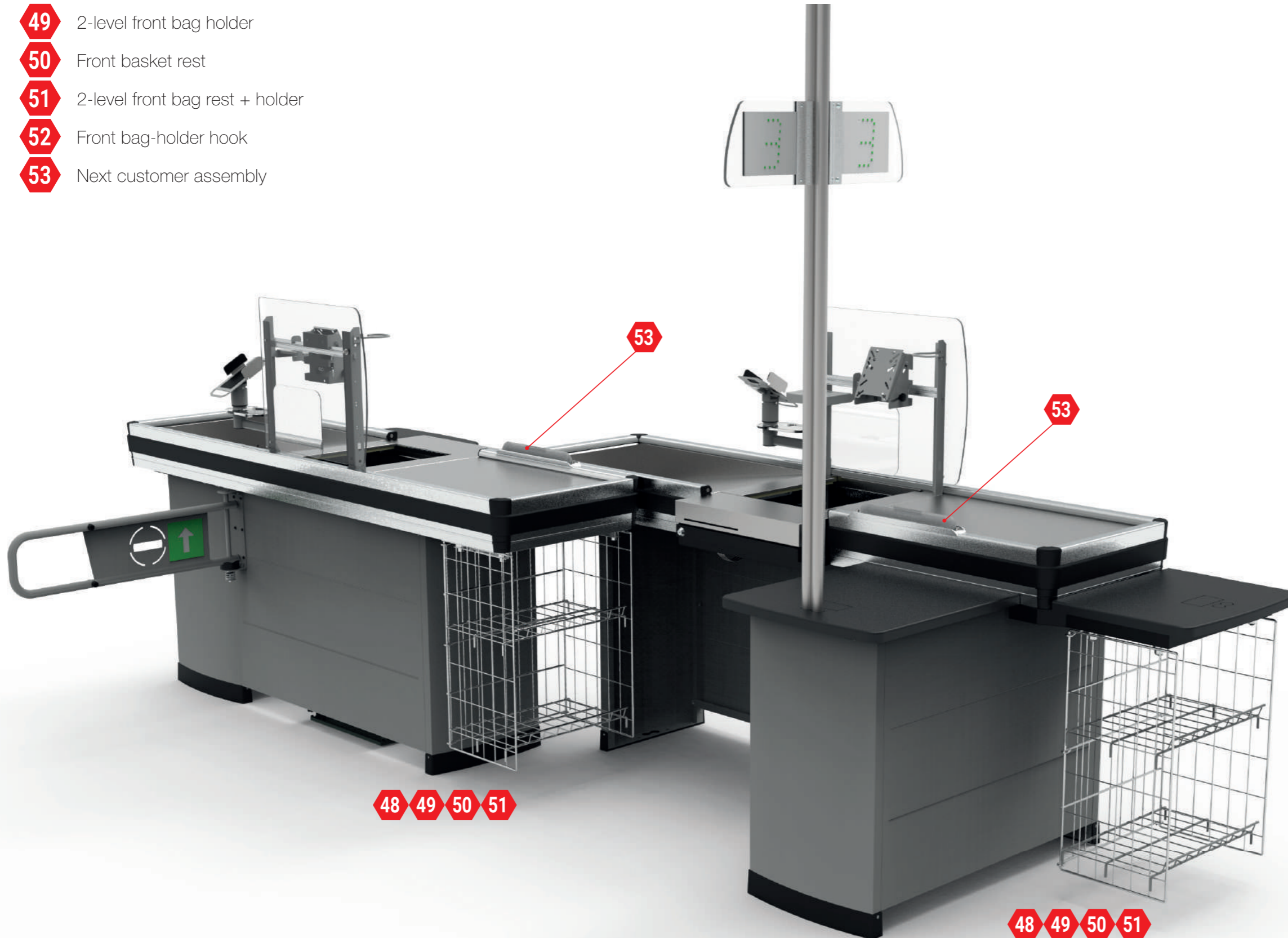
43E BIDIRECTIONAL trolley blocking device



43A **43E** **44**

FUNCTION ENHANCEMENT ACCESSORIES

- 49 2-level front bag holder
- 50 Front basket rest
- 51 2-level front bag rest + holder
- 52 Front bag-holder hook
- 53 Next customer assembly



51 2-level front bag rest (50) + holder (49)



FROM L325 TO L345*

52 Front bag-holder hook

* FOR CHECK-OUT DXL E SXR

ECK

CHECK-OUT COUNTER LINE

A simple and defined style characterises the new Intrac check-out counters line.

ECK line is featured by high level components and technology, that guarantee the quality standard of the brand.

According to different requires we can customise the check out in its aesthetic and functional aspect, improving the workplace conditions and the purchasing experience.



CHECK-OUT COUNTER LINE

ECK PSVD

Area

- HYPERSTORE
- SUPERSTORE
- CONVENIENCE STORE
- SPECIALISED SHOP
- DISCOUNT
- CASH & CARRY

Medium Receipt Entity

- <20 €
- 20÷40 €
- >40 €

Ergonomics Operator

- BASSA
- MEDIUM
- ALTA

Control Level

- CASHIER
- DIY
- SELF SCAN
- AUTOMATIC SCAN
- TROLLEY

CASH MANAGEMENT

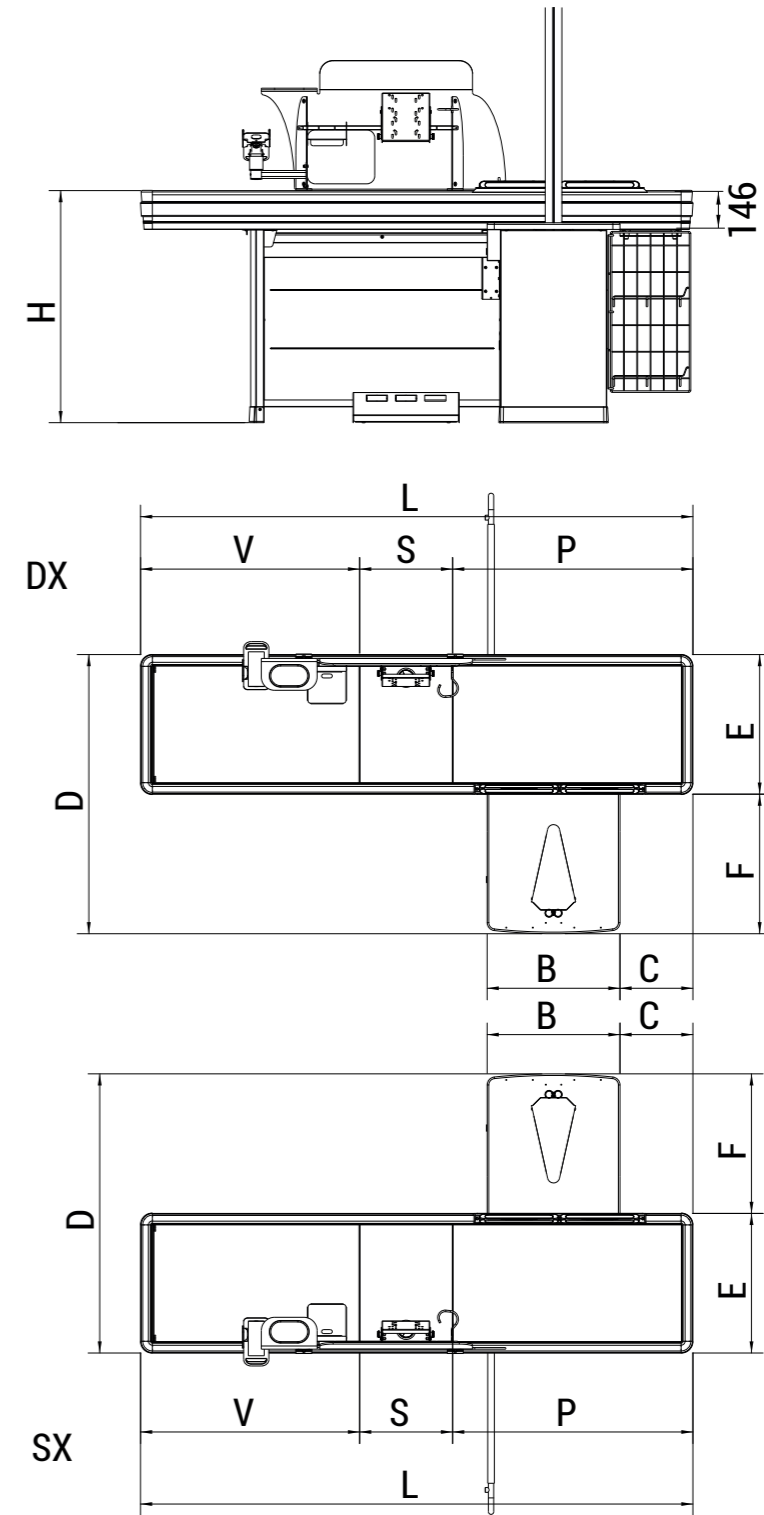
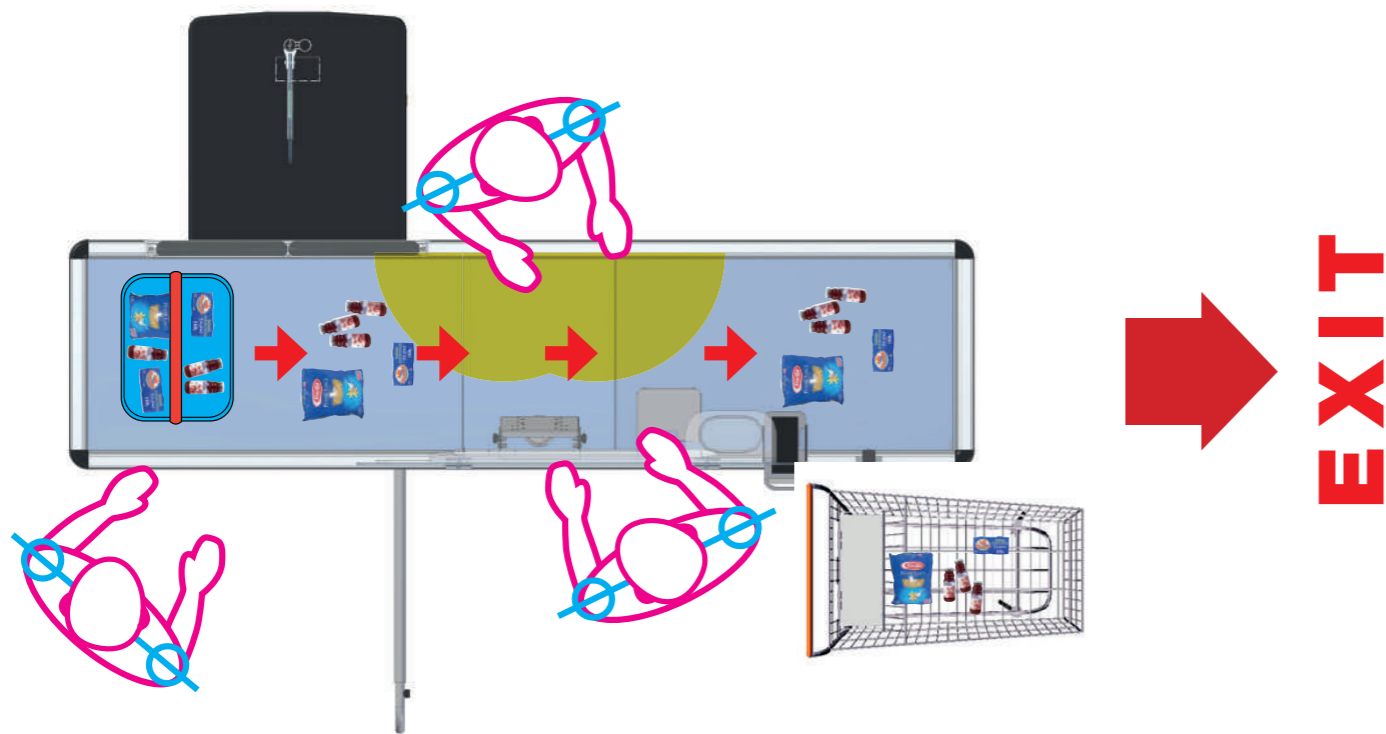
- OPERATOR
- OPERATOR/CUSTOMER
- CUSTOMER

RF/MAG TAG

Livello di Servizio al Cliente

- LOW
- NORMAL (EUROPEAN STANDARD)
- HIGH
- EXTRA FOR DISABLED
- EXTRA FOR PREGNANT
- EXTRA FOR ONE QUEUE

ERGONOMICS - grasping area



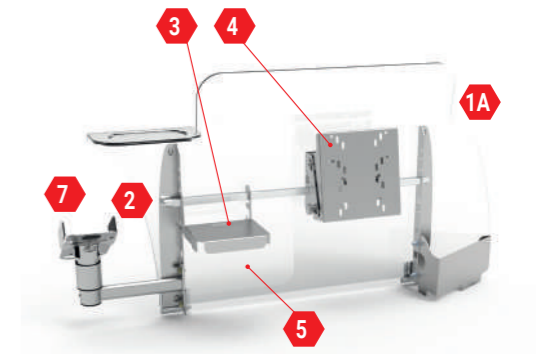
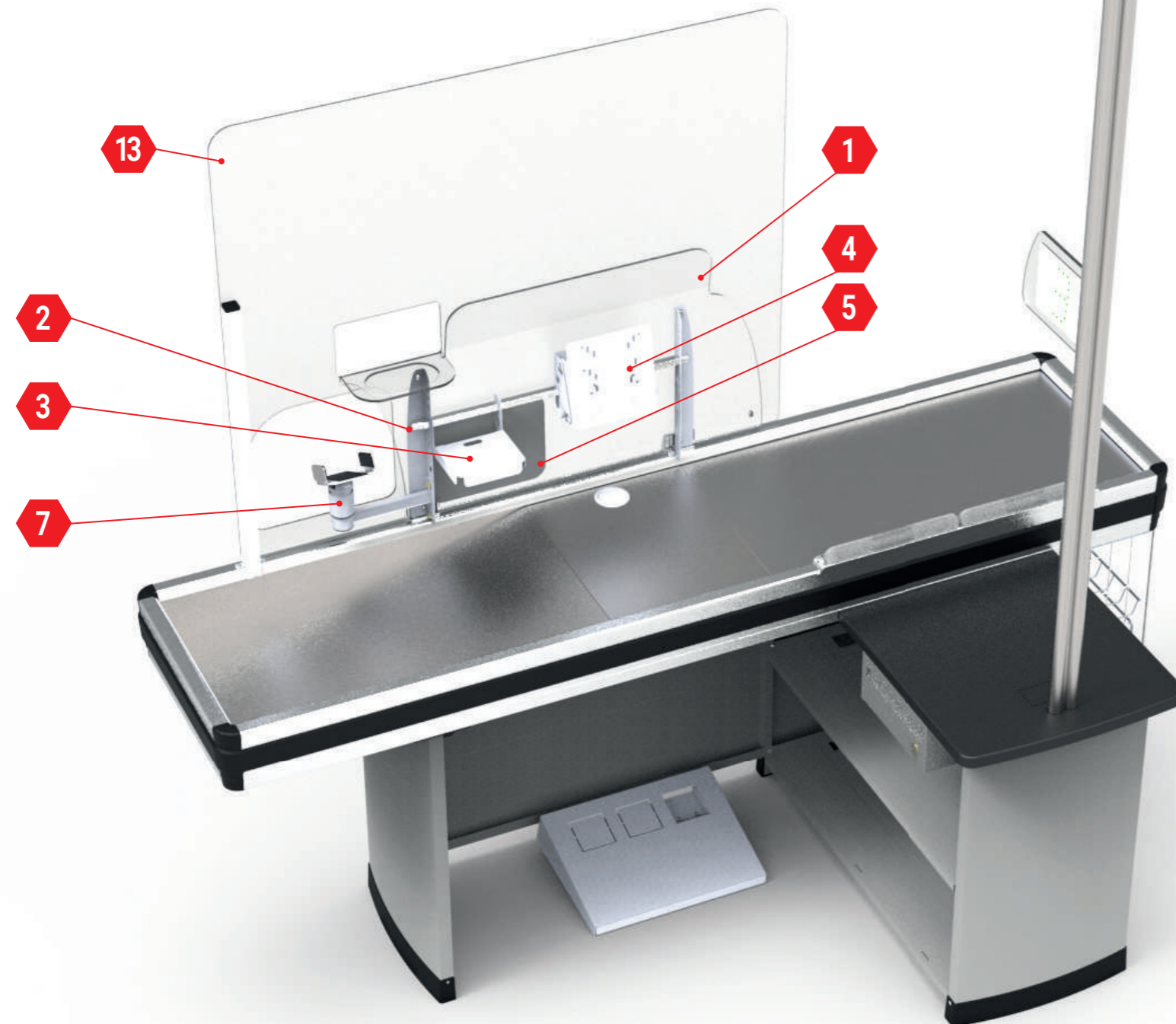
MODEL

Model	L (mm) standard drawer	N (mm)	S (mm) standard drawer	V (mm)	A (mm)	B (mm)	C (mm)	D (mm)	E (mm)	F (mm)	H (mm)
PSVD 128	1280	505	350	425		500	0	1050	525	525	870
PSVD 148	1480	505	350	625		500	0	1050	525	525	870
PSVD 168	1680	705	350	625		500	175	1050	525	525	870
PSVD 188	1880	705	350	825		500	175	1050	525	525	870
PSVD 208	2080	905	350	825		500	275	1050	525	525	870

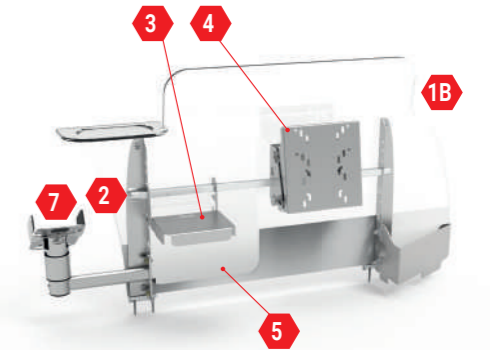
* Width = 460mm
12007811_ECK-PSVD - Rev 01 05-2021

FRONT CASHIER ACCESSORIES

- 1 Scanner protection
- 2 Connection for keyboard, touch, object holder
- 3 Object holder
- 4 Keyboard-touch support
- 5 Wide-angle lens
- 7 Supporto pin pad rotante
- 8 Scanner holding hook
- 13 Covid Front cashier



1A S-ELIPSE scanner protection set



1B S-ELIPSE scanner protection set with opaque set

CUSTOMER SERVICE ACCESSORIES

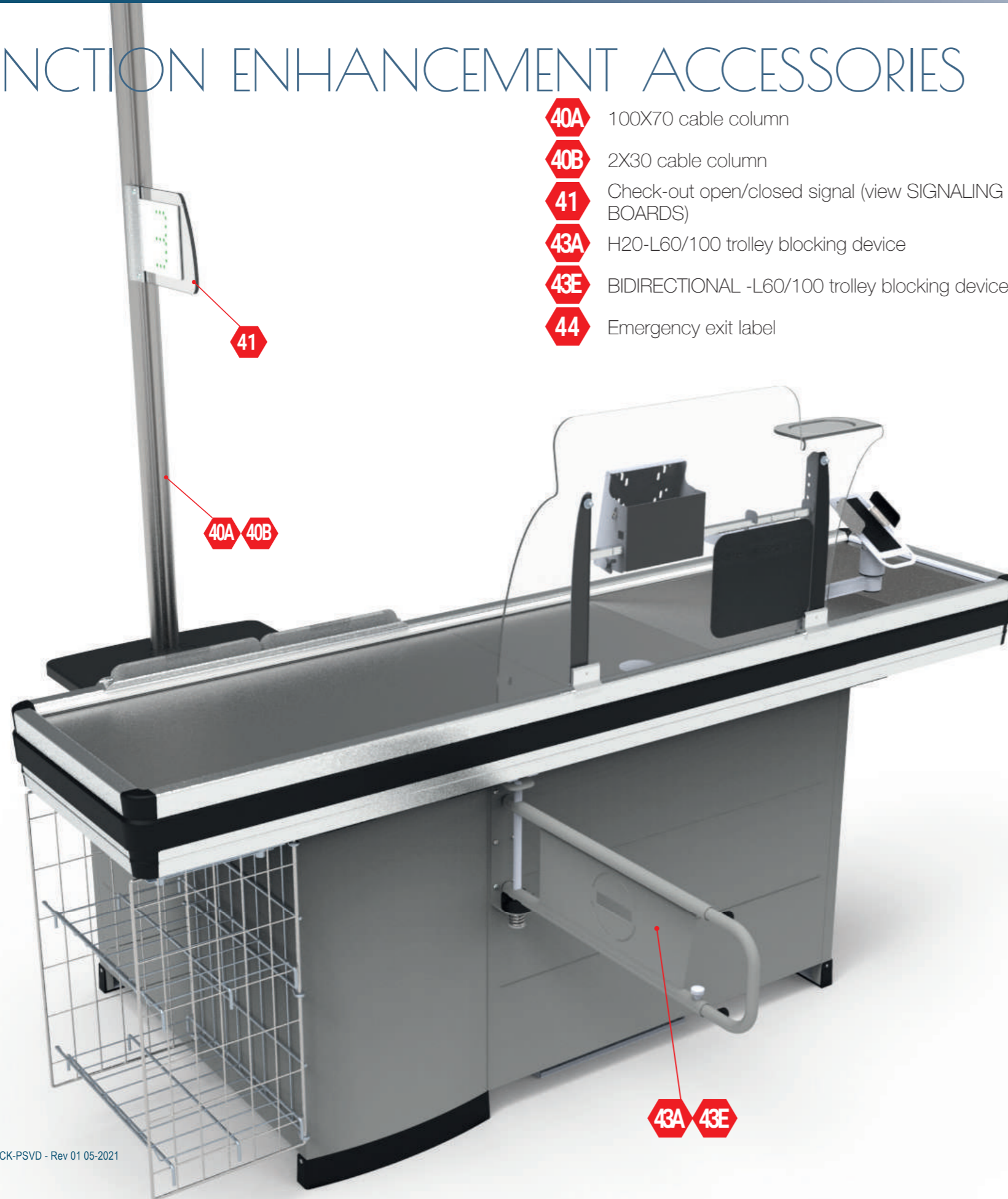
- 20A** Auxiliary socket 2 Schuko
- 20B** Auxiliary socket 4 Schuko
- 21** Additional cables support standard
- 23A** Front cpu-service fixed shelf
- 25** Fastening to the ground assembly
- 26** Check-out stool with back
- 27** Adjustable footboard with pedal housing
- 29** Under shelf drawer
- 34** Internal base leg integrated
- 36** Half-leg closing door with cpu-service fixed shelf



20 Auxiliary socket

FUNCTION ENHANCEMENT ACCESSORIES

- 40A** 100X70 cable column
- 40B** 2X30 cable column
- 41** Check-out open/closed signal (view SIGNALING BOARDS)
- 43A** H20-L60/100 trolley blocking device
- 43E** BIDIRECTIONAL -L60/100 trolley blocking device
- 44** Emergency exit label



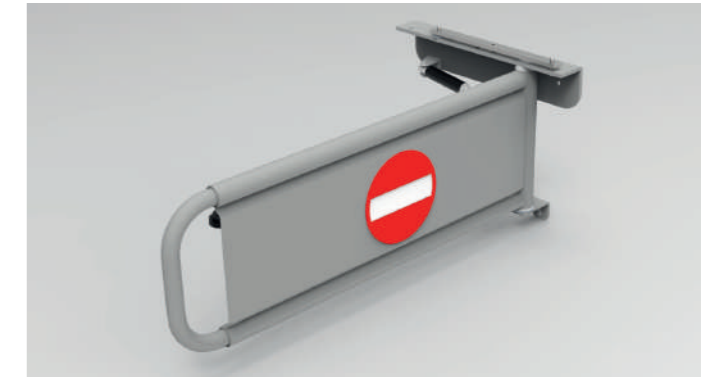
40A



40B



40 Cable column



43A Trolley blocking device



43E BIDIRECTIONAL trolley blocking device

43A 43E

FUNCTION ENHANCEMENT ACCESSORIES

- 49 2-level front bag holder
- 50 Front basket rest
- 51 2-level front bag rest + holder
- 52 Front bag-holder hook
- 53 Next customer assembly



51 2-level front bag rest (50) + holder (49)



52 Front bag-holder hook

INTRAC
RETAIL SOLUTIONS

45100 ROVIGO - Italy - Via A. Grandi, 24 - Tel. +39 0425 363666 - Fax +39 0425 363600
e-mail: info@intrac.it
www.intrac.it