



## RDO-S

Intrac manufactures and proposes the revolutionary 'circular flow' counter.

Front interaction between customer and cashier, both while putting the goods on the conveyor belt and while bagging, distinguishes this counter from traditional ones.

This 'circular-flow' interaction between customer and cashier creates the most suitable configurations in small-surface layouts. Counters are compact, lined and there is no need for corridors among them, with the result of an optimized check-out barrier.

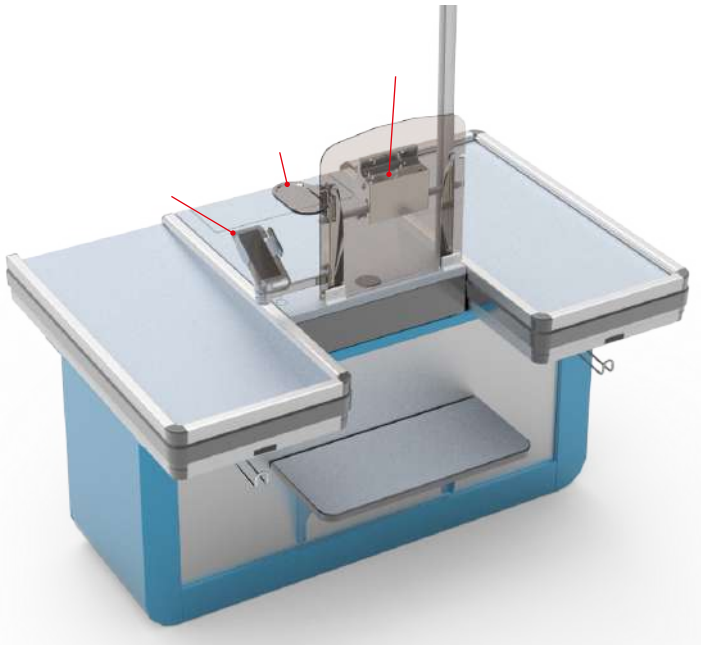
Nothing is left to chance: each and every space is designed to offer a unique solution, which combines space containment and operational functionality.














Among its relevant features, we count the possibility to have a conveyor belt on one side, while having the basin on the other side. The central module can be provided with cash-drawer, scanner housing and supports for printer and touch-keyboard. The front part includes a wooden panel for shopping baskets rest.

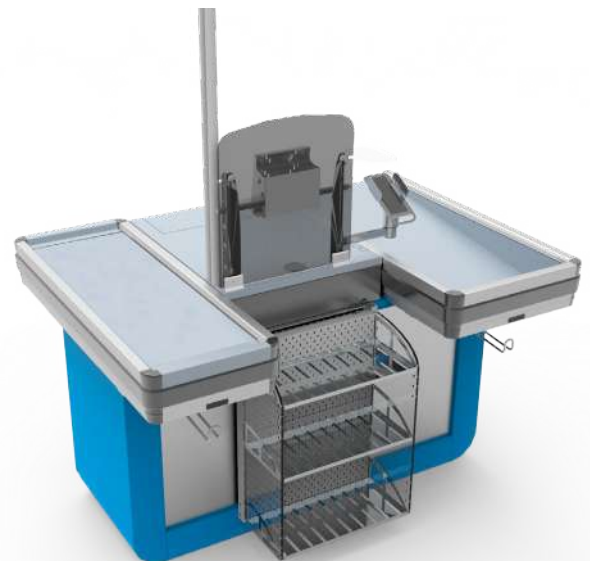
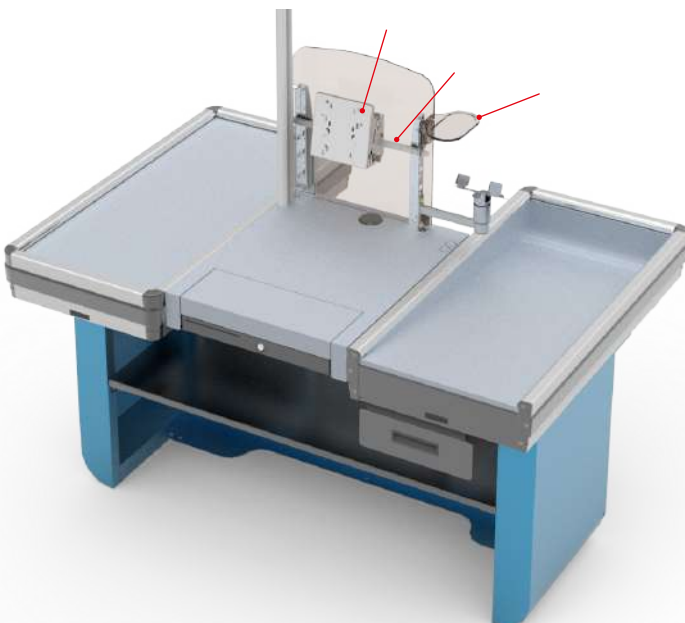
<b>Area</b>	<input checked="" type="checkbox"/> HYPERSTORE <input checked="" type="checkbox"/> SUPERSTORE <input checked="" type="checkbox"/> CONVENIENCE STORE <input checked="" type="checkbox"/> SPECIALISED SHOP <input type="checkbox"/> DISCOUNT <input type="checkbox"/> CASH & CARRY
<b>Control Level</b>	<input checked="" type="checkbox"/> CASHIER <input type="checkbox"/> DIY <input type="checkbox"/> SELF SCAN <input type="checkbox"/> AUTOMATIC SCAN <input type="checkbox"/> TROLLEY  <input type="checkbox"/> CASH MANAGEMENT <input type="checkbox"/> RF/MAG TAG  <input type="checkbox"/> OPERATOR <input type="checkbox"/> OPERATOR/CUSTOMER <input type="checkbox"/> CUSTOMER
<b>Medium Receipt Entity</b>	<input checked="" type="checkbox"/> <20 € <input checked="" type="checkbox"/> 20÷40 € <input type="checkbox"/> >40 €
<b>Customer Service Level</b>	<input type="checkbox"/> LOW <input checked="" type="checkbox"/> NORMAL (EUROPEAN STANDARD) <input type="checkbox"/> HIGH <input type="checkbox"/> EXTRA FOR DISABLED <input type="checkbox"/> EXTRA FOR PREGNANT <input type="checkbox"/> EXTRA FOR ONE QUEUE
<b>Ergonomics Operator</b>	<input type="checkbox"/> LOW <input checked="" type="checkbox"/> OK <input type="checkbox"/> HIGH



## RDO-S

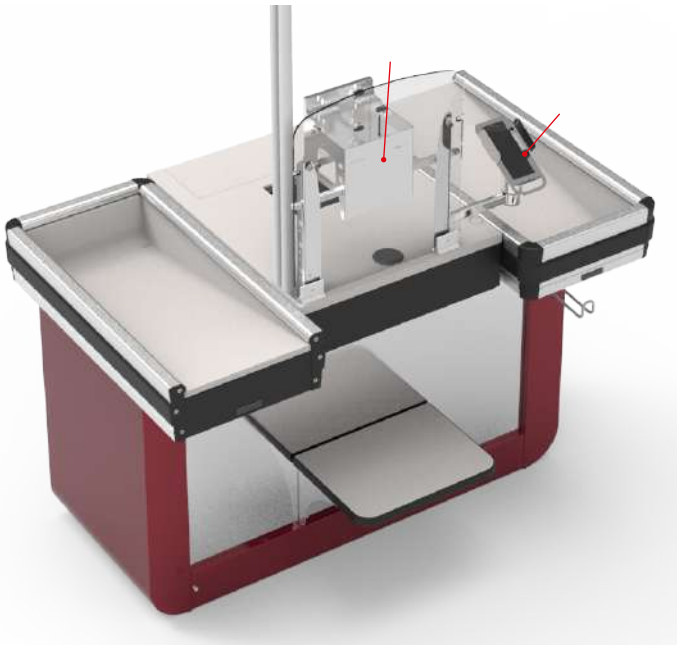














-  PLEXI PROTECTION
-  CONNECTION FOR KEYBOARD-TOUCH
-  TOUCH-KEYBOARD SUPPORT
-  CHANGE TRAY
-  ROTATING SUPPORT FOR PIN PAD
-  CASH DRAWER
-  SERVICE DRAWER
-  SERVICE SHELF
-  AUXILIARY SOCKET
-  BASKET REST
-  CHECKOUT FRONT DISPLAY
-  FRONT BAG-HOLDER HOOK
-  CABLE COLUMN

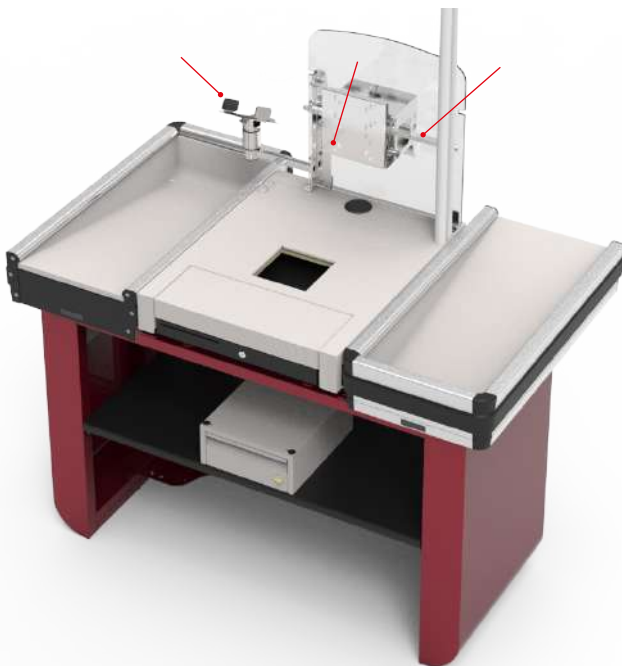




## RDO-S



-  PLEXI PROTECTION
-  CONNECTION FOR KEYBOARD-TOUCH
-  TOUCH-KEYBOARD SUPPORT
-  ROTATING SUPPORT FOR PIN PAD
-  CASH DRAWER
-  SERVICE DRAWER
-  SERVICE SHELF
-  AUXILIARY SOCKET
-  BASKET REST
-  CHECKOUT FRONT DISPLAY
-  FRONT BAG-HOLDER HOOK
-  CABLE COLUMN

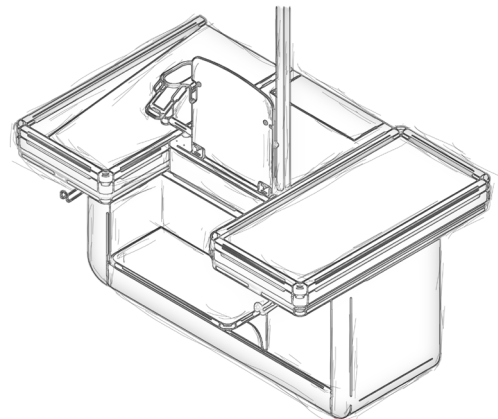
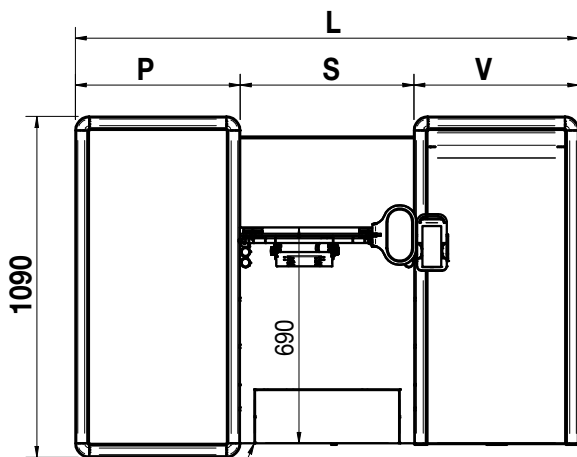
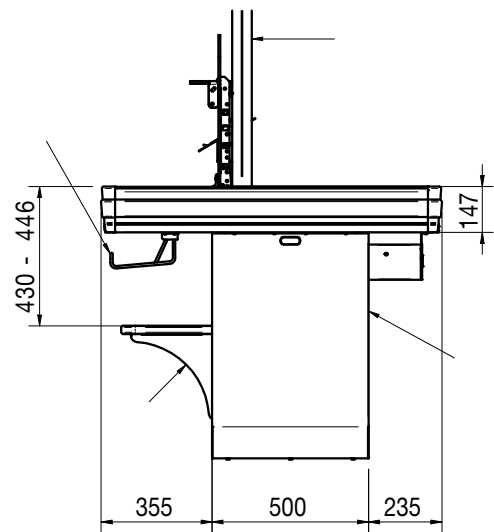
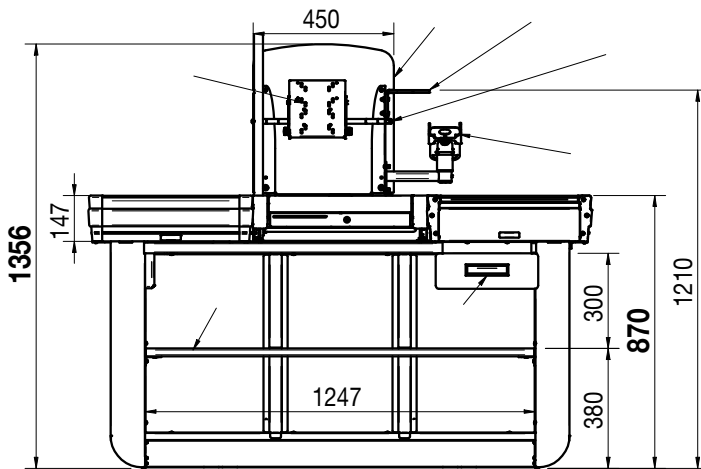


# QUADRA



## RDO-S

Model	L (mm)	V (mm)	S (mm)	P (mm)
RDO-S 135-80 DX	1350	400	550	400
RDO-S 135-80 SX	1350	400	550	400
RDO-S 148-109 DX	1480	530	550	400
RDO-S 148-109 SX	1480	530	550	400
RDO-S 161-109 DX	1610	530	550	530
RDO-S 161-109 SX	1610	530	550	530
RDO-S 203-109 DX	2030	950	550	530
RDO-S 203-109 SX	2030	950	550	530





## RDO-S

### WORK AREAS, FIELD OF VISION

