



RDO-M

Intrac manufactures and proposes the revolutionary 'circular flow' counter.

Front interaction between customer and cashier, both while putting the goods on the conveyor belt and while bagging, distinguishes this counter from traditional ones.

This 'circular-flow' interaction between customer and cashier creates the most suitable configurations in small-surface layouts. Counters are compact, lined and there is no need for corridors among them, with the result of an optimized check-out barrier.

Nothing is left to chance: each and every space is designed to offer a unique solution, which combines space containment and operational functionality.

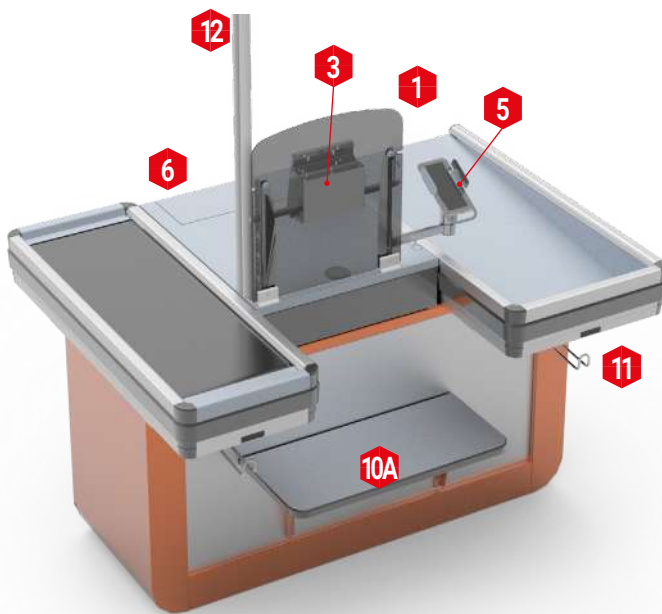
Among its relevant features, we count the possibility to have a conveyor belt on one side, while having the basin on the other side. The central module can be provided with cash-drawer, scanner housing and supports for printer and touch-keyboard. The front part includes a wooden panel for shopping baskets rest.

Area	<input type="checkbox"/> HYPERSTORE <input type="checkbox"/> SUPERSTORE <input checked="" type="checkbox"/> CONVENIENCE STORE <input type="checkbox"/> SPECIALISED SHOP <input type="checkbox"/> DISCOUNT <input type="checkbox"/> CASH & CARRY
Control Level	<input checked="" type="checkbox"/> CASHIER <input type="checkbox"/> DIY <input type="checkbox"/> SELF SCAN <input type="checkbox"/> AUTOMATIC SCAN <input type="checkbox"/> TROLLEY <input type="checkbox"/> CASH MANAGEMENT <input type="checkbox"/> OPERATOR <input type="checkbox"/> OPERATOR/CUSTOMER <input type="checkbox"/> CUSTOMER <input type="checkbox"/> RF/MAG TAG
Medium Receipt Entity	<input checked="" type="checkbox"/> <20 € <input checked="" type="checkbox"/> 20÷40 € <input type="checkbox"/> >40 €
Customer Service Level	<input type="checkbox"/> LOW <input checked="" type="checkbox"/> NORMAL (EUROPEAN STANDARD) <input type="checkbox"/> HIGH <input type="checkbox"/> EXTRA FOR DISABLED <input type="checkbox"/> EXTRA FOR PREGNANT <input type="checkbox"/> EXTRA FOR ONE QUEUE
Ergonomics Operator	<input type="checkbox"/> LOW <input checked="" type="checkbox"/> OK <input type="checkbox"/> HIGH

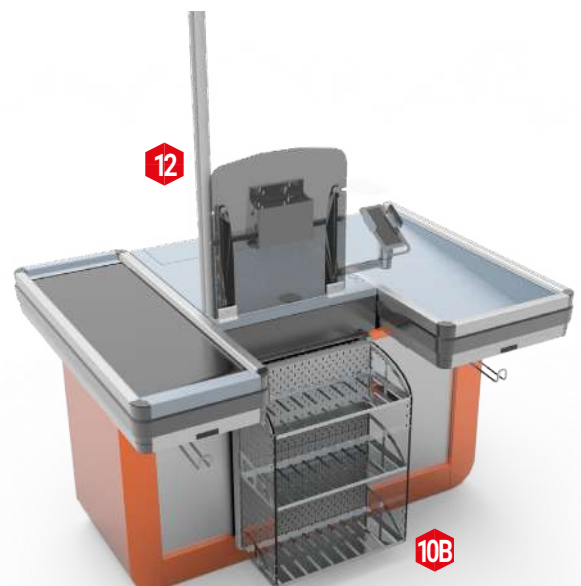
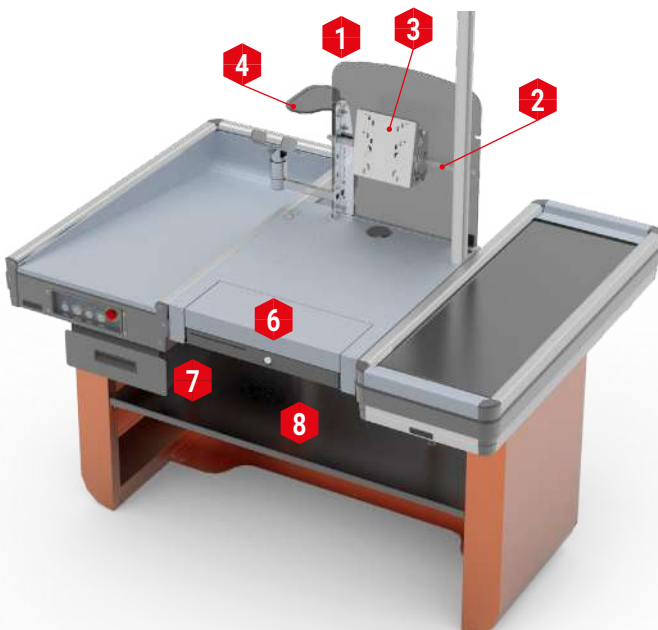
QUADRA



RDO-M



- 1 PLEXI PROTECTION
- 2 CONNECTION FOR KEYBOARD-TOUCH
- 3 TOUCH-KEYBOARD SUPPORT
- 4 CHANGE TRAY
- 5 ROTATING SUPPORT FOR PIN PAD
- 6 CASH DRAWER
- 7 SERVICE DRAWER
- 8 SERVICE SHELF
- 9 AUXILIARY SOCKET
- 10A BASKET REST
- 10B CHECKOUT FRONT DISPLAY
- 11 FRONT BAG-HOLDER HOOK
- 12 CABLE COLUMN



12006901_RDO-M-QDR - Rev.00 10-2020

INTRAC
DESIGN & DISPLAY

INTRAC S.p.A. - Via A. Grandi, 24 - 45100 ROVIGO - Italy
Tel. +39 0425 363666 - Fax +39 0425 363600
PARTITA IVA 01085900296
www.intrac.it - info@intrac.it

CSQ CSQ CSQ
ISO 9001 ISO 14001 85 CHSAS 1800
IsNet

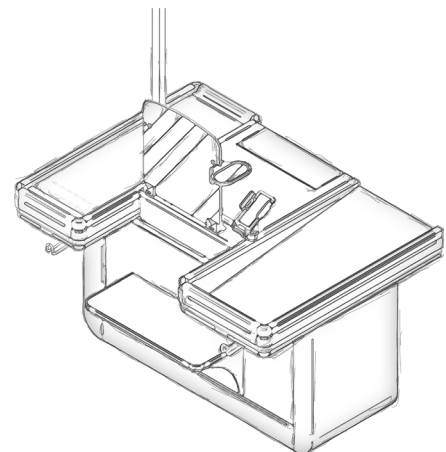
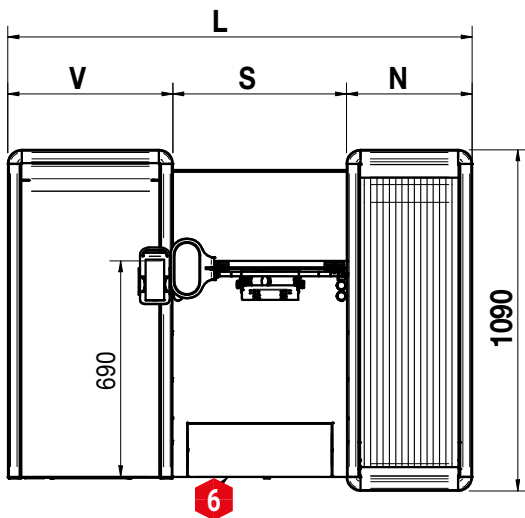
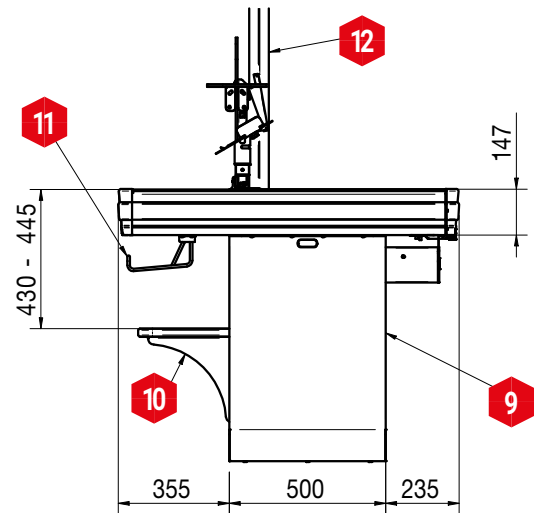
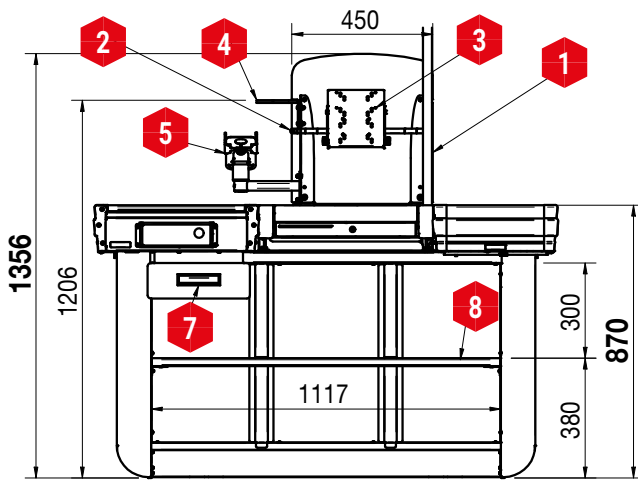
arned
WORLD

QUADRA



RDO-M

Model	L (mm)	V (mm)	S (mm)	N (mm)
RDO-M 135-109 DX	1350	400	550	400
RDO-M 135-109 SX	1350	400	550	400
RDO-M 148-109 DX	1480	530	550	400
RDO-M 148-109 SX	1480	530	550	400
RDO-M 161-109 DX	1610	530	550	530
RDO-M 161-109 SX	1610	530	550	530
RDO-M 203-109 DX	2030	950	550	530
RDO-M 203-109 SX	2030	950	550	530



12006901_RDO-M-QDR - Rev.00 10-2020

INTRAC
DESIGN & DISPLAY

INTRAC S.p.A. - Via A. Grandi, 24 - 45100 ROVIGO - Italy
Tel. +39 0425 363666 - Fax +39 0425 363600
PARTITA IVA 01085900296
www.intrac.it - info@intrac.it

CSQ CSQ CSQ
ISO 9001 ISO 14001 85 OHSAS 18001
ISNet

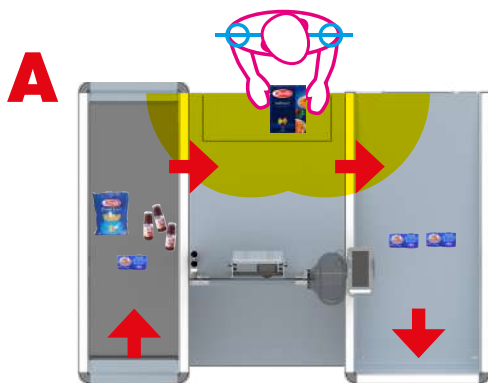
arned
WORLD

QUADRA

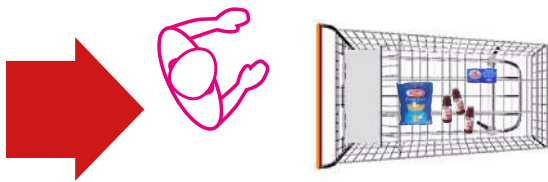
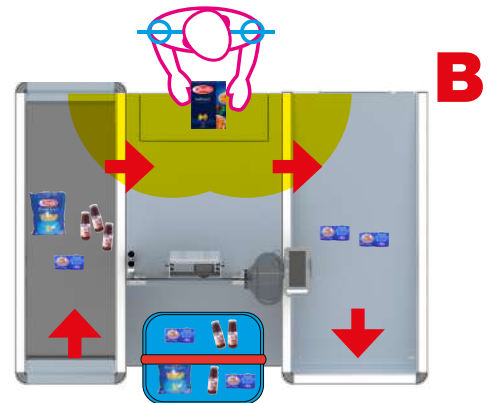


RDO-M

WORK AREAS, FIELD OF VISION



Maximum grasping area



EXIT