

ECK

CHECK-OUT COUNTER LINE

A simple and defined style characterises the new Intrac check-out counters line.

ECK line is featured by high level components and technology, that guarantee the quality standard of the brand.

According to different requires we can customise the check out in its aesthetic and functional aspect, improving the workplace conditions and the purchasing experience.



CHECK-OUT COUNTER LINE

ECK NSCV

Area

- HYPERSTORE
- SUPERSTORE
- CONVENIENCE STORE
- SPECIALISED SHOP
- DISCOUNT
- CASH & CARRY

Medium Receipt Entity

- <20 €
- 20÷40 €
- >40 €

Ergonomics Operator

- BASSA
- MEDIUM
- ALTA

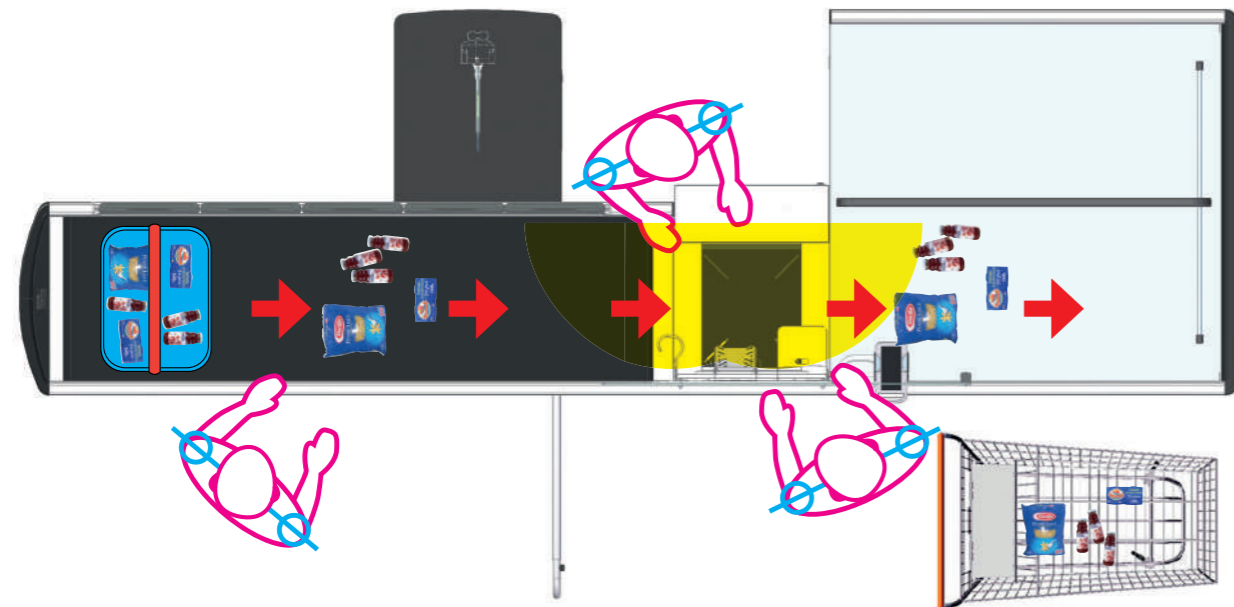
Control Level

- CASHIER
- DIY
- SELF SCAN
- AUTOMATIC SCAN
- TROLLEY
- CASH MANAGEMENT
- RF/MAG TAG
- OPERATOR
- OPERATOR/CUSTOMER
- CUSTOMER

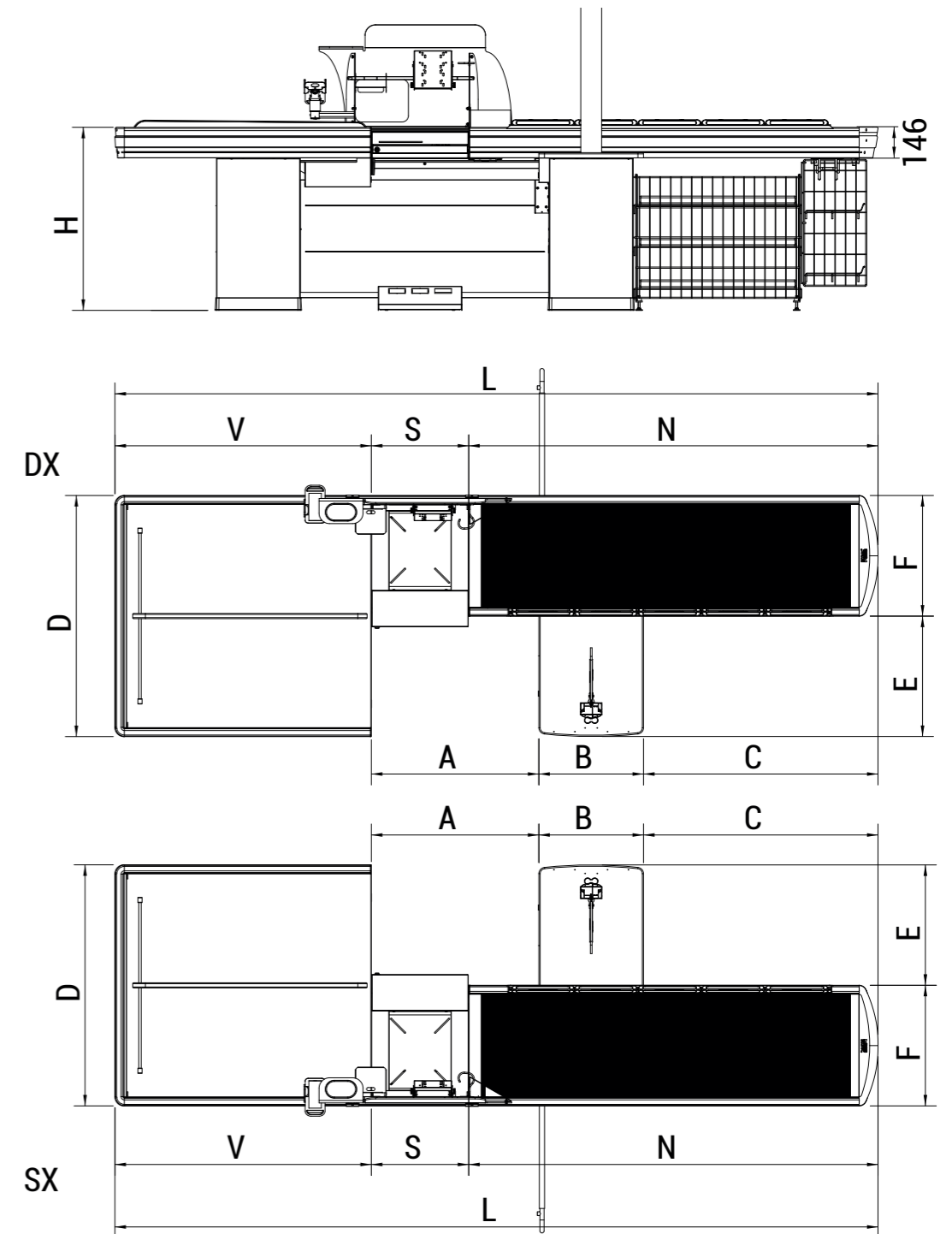
Livello di Servizio al Cliente

- LOW
- NORMAL (EUROPEAN STANDARD)
- HIGH
- EXTRA FOR DISABLED
- EXTRA FOR PREGNANT
- EXTRA FOR ONE QUEUE

ERGONOMICS - grasping area



USCITA



MODEL

Model	L (mm) standard* drawer	N (mm)	S (mm) standard* drawer	V (mm)	A (mm)	B (mm)	C (mm)	D (mm)	E (mm)	F (mm)	H (mm)
NSCV 185	1850	760	465	625	680	500	40	1150	575	575	870
NSCV 205	2050	960	465	625	790	500	130	1150	575	575	870
NSCV 225	2250	960	465	825	800	500	120	1150	575	575	870
NSCV 245	2450	1160	465	825	800	500	320	1150	575	575	870
NSCV 265	2650	1360	465	825	800	500	520	1150	575	575	870
NSCV 285	2850	1360	465	1025	800	500	520	1150	575	575	870
NSCV 305	3050	1560	465	1025	800	500	720	1150	575	575	870
NSCV 325	3250	1560	465	1225	800	500	720	1150	575	575	870

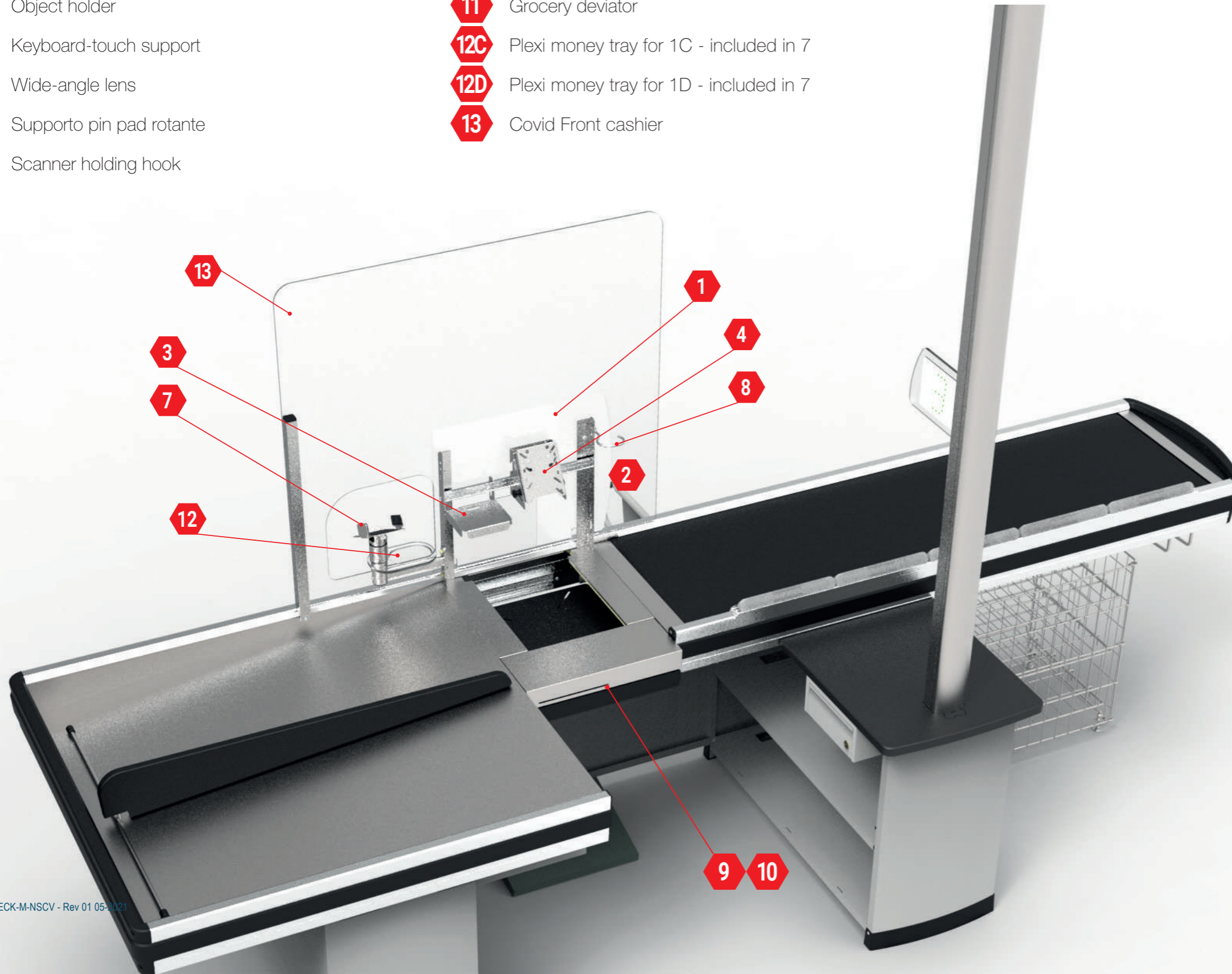
* Width = 460mm

12006991_ECK-M-NSCV - Rev 01 05-2021

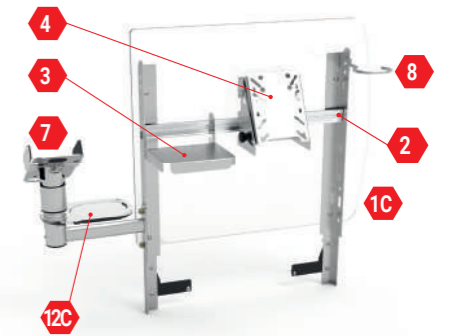
INTRAC®

FRONT CASHIER ACCESSORIES

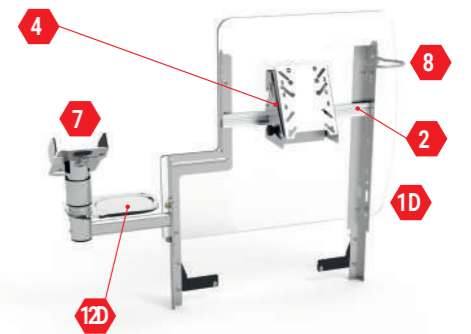
- 1** Scanner protection
- 2** Connection for keyboard, touch, object holder
- 3** Object holder
- 4** Keyboard-touch support
- 5** Wide-angle lens
- 7** Supporto pin pad rotante
- 8** Scanner holding hook
- 9** Cash drawer 12/24/36V
- 10** Cash insert unit
- 11** Grocery deviator
- 12C** Plexi money tray for 1C - included in 7
- 12D** Plexi money tray for 1D - included in 7
- 13** Covid Front cashier



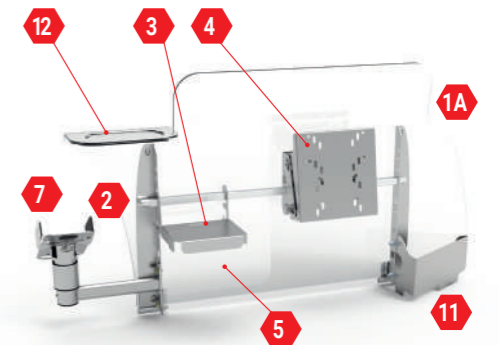
ECK NSCV



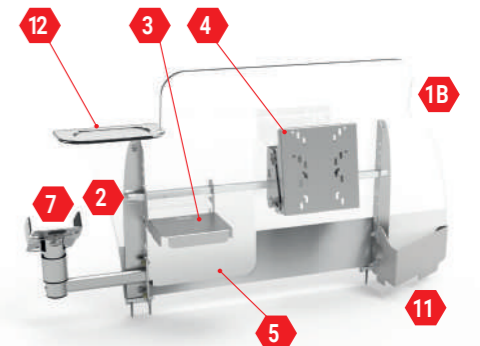
1C ECK scanner protection set



1D ECK-9800 scanner protection set



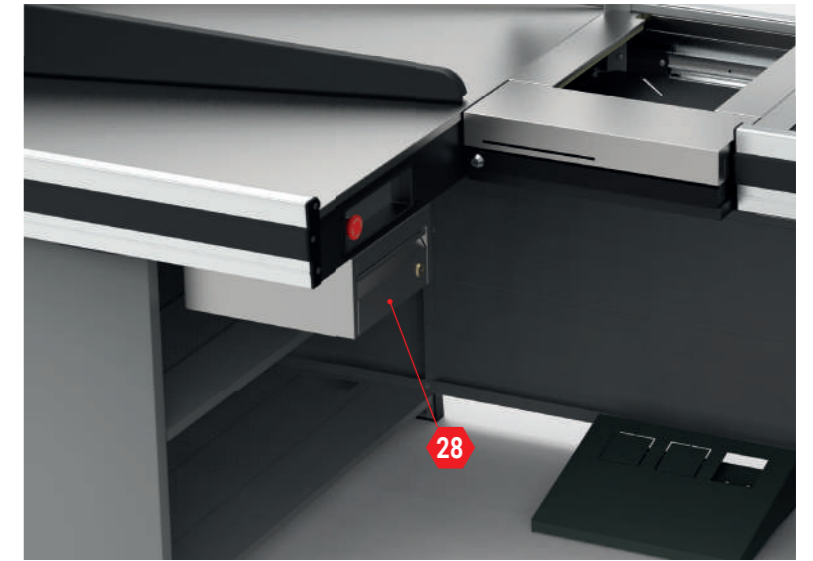
1A S-ELIPSE scanner protection set



1B S-ELIPSE scanner protection set with opaque set

CUSTOMER SERVICE ACCESSORIES

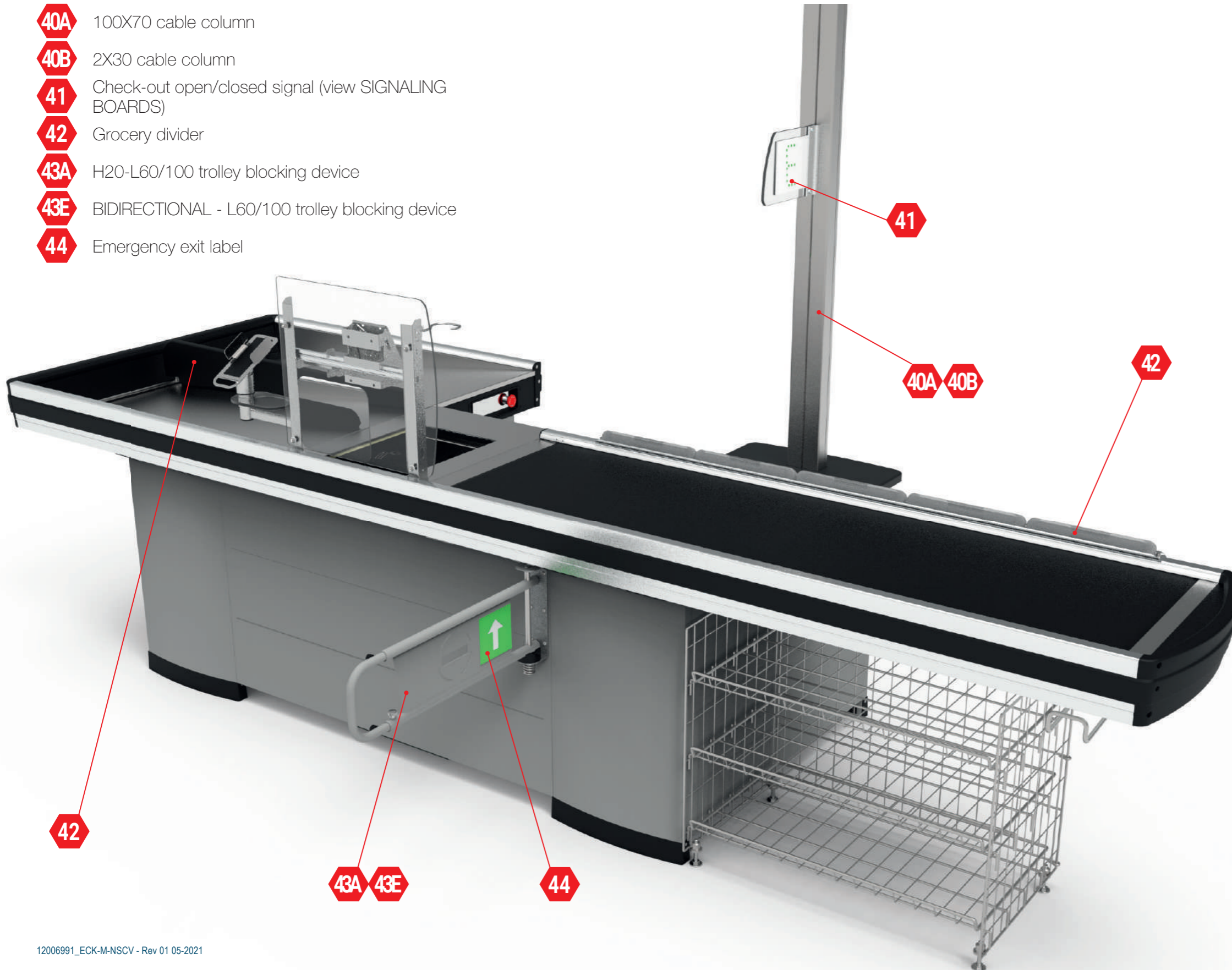
- 20A** Auxiliary socket 2 Schuko
- 20B** Auxiliary socket 4 Schuko
- 21** Additional cables support standard
- 22** Crumb collector with brush
- 23A** Front cpu-service fixed shelf
- 23B** Rear cpu-service fixed shelf
- 25** Fastening to the ground assembly
- 26** Check-out stool with back
- 27** Adjustable footboard with pedal housing
- 28** Under basin drawer
- 29** Under shelf drawer
- 34** Internal base leg integrated
- 36** Half-leg closing door with cpu-service fixed shelf



20 Auxiliary socket

FUNCTION ENHANCEMENT ACCESSORIES

- 40A** 100X70 cable column
- 40B** 2X30 cable column
- 41** Check-out open/closed signal (view SIGNALING BOARDS)
- 42** Grocery divider
- 43A** H20-L60/100 trolley blocking device
- 43E** BIDIRECTIONAL - L60/100 trolley blocking device
- 44** Emergency exit label



40A



40B

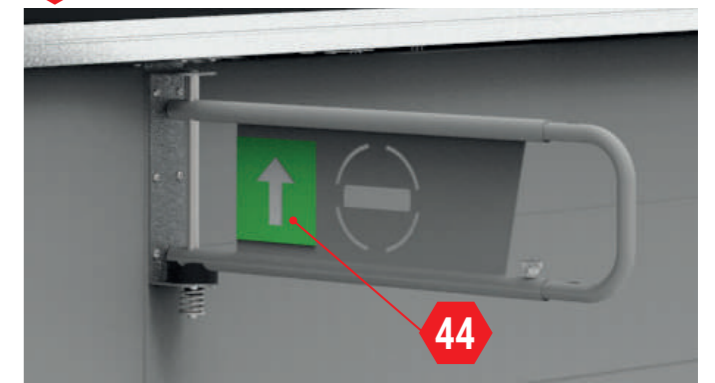


40

Cable column

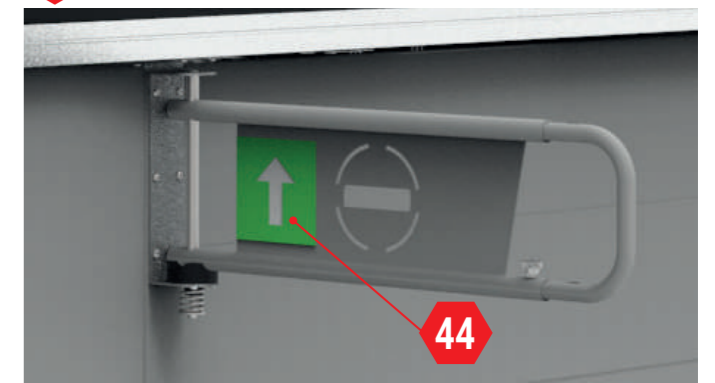
43A

Trolley blocking device



43E

BIDIRECTIONAL trolley blocking device



FUNCTION ENHANCEMENT ACCESSORIES

- 48A** 2/3-level suspended lateral front bag holder
- 48B** 2/3-level on floor lateral front wire bag holder
- 48C** 3-level on wheel lateral front wire bag holder
- 49** 2-level front bag holder
- 50** Front basket rest
- 51** 2-level front bag rest + holder
- 52** Front bag-holder hook
- 53** Next customer assembly



48 49 50 51



FROM L265 TO L365

48A SUSPENDED



51



49

FROM L245 TO L365

50

51 2-level front bag rest (**50**) + holder (**49**)



FROM L265 TO L365

48B ON FLOOR



FROM L265 TO L365

48C ON WHEEL



FROM L245 TO L365

52 Front bag-holder hook

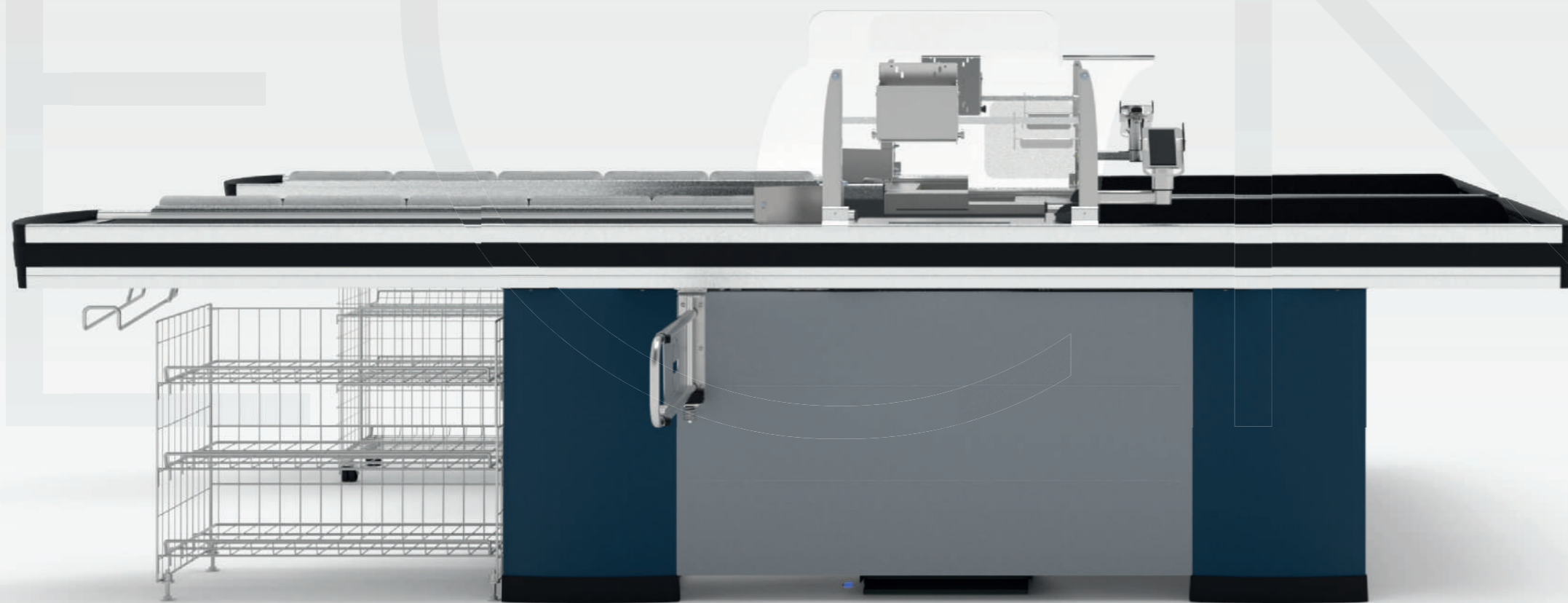
ECK

CHECK-OUT COUNTER LINE

A simple and defined style characterises the new Intrac check-out counters line.

ECK line is featured by high level components and technology, that guarantee the quality standard of the brand.

According to different requires we can customise the check out in its aesthetic and functional aspect, improving the workplace conditions and the purchasing experience.



CHECK-OUT COUNTER LINE

ECK NSCV BTB

Area

- HYPERSTORE
- SUPERSTORE
- CONVENIENCE STORE
- SPECIALISED SHOP
- DISCOUNT
- CASH & CARRY

Medium Receipt Entity

- <20 €
- 20÷40 €
- >40 €

Ergonomics Operator

- BASSA
- MEDIUM
- ALTA

Control Level

- CASHIER
- DIY
- SELF SCAN
- AUTOMATIC SCAN
- TROLLEY

CASH MANAGEMENT

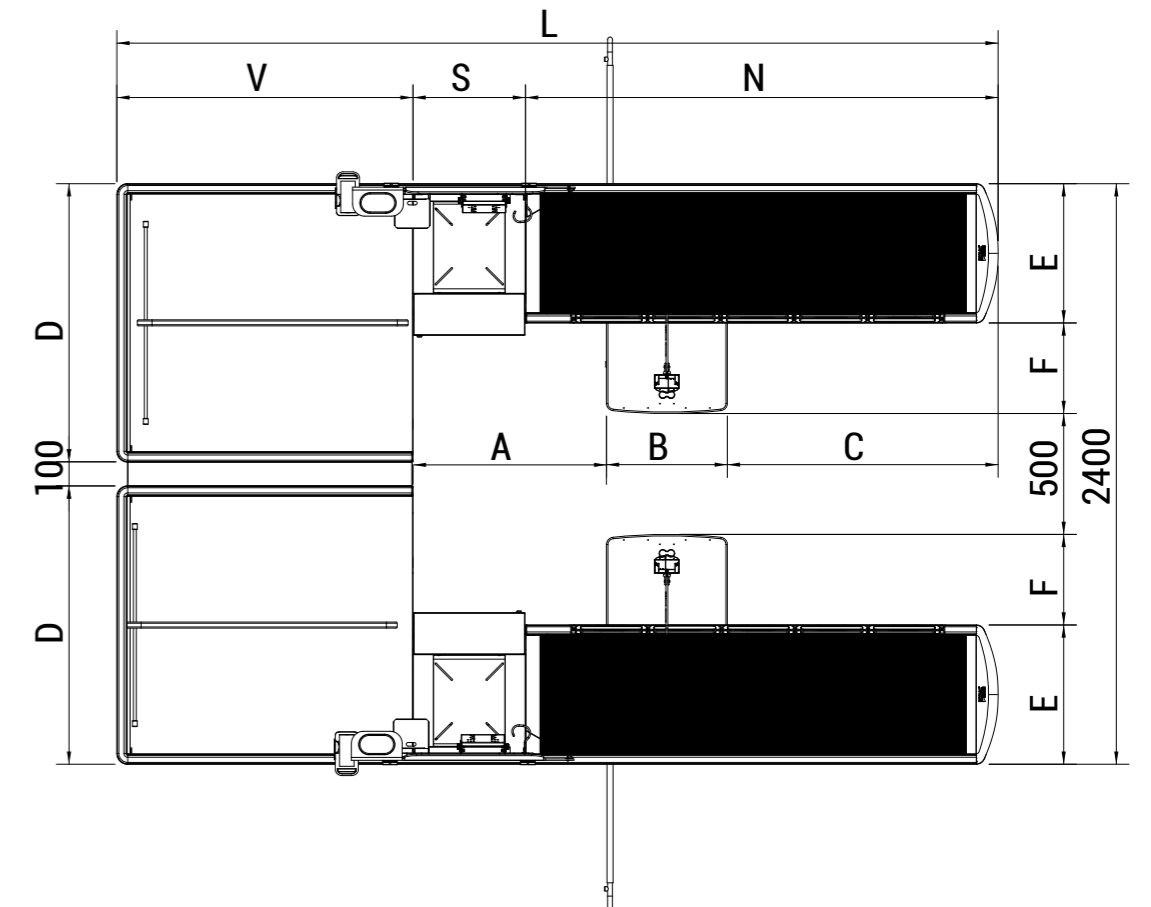
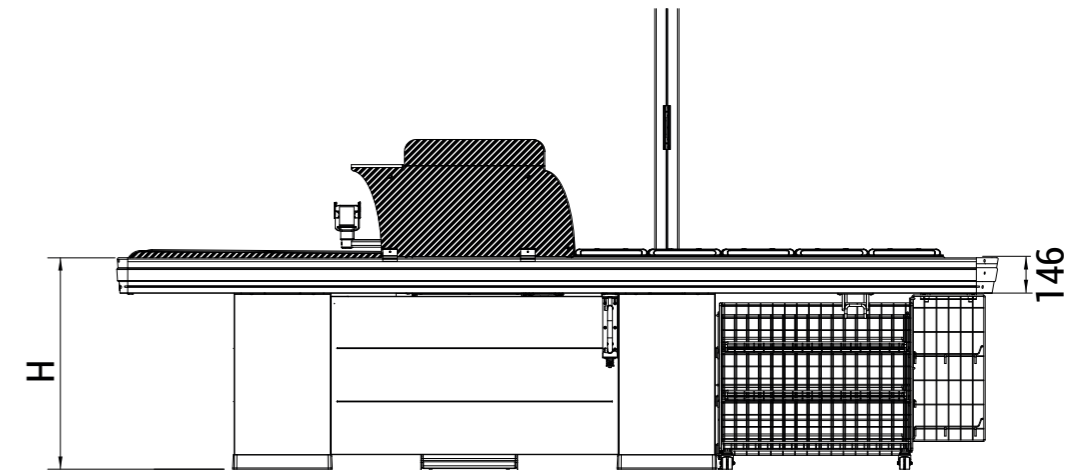
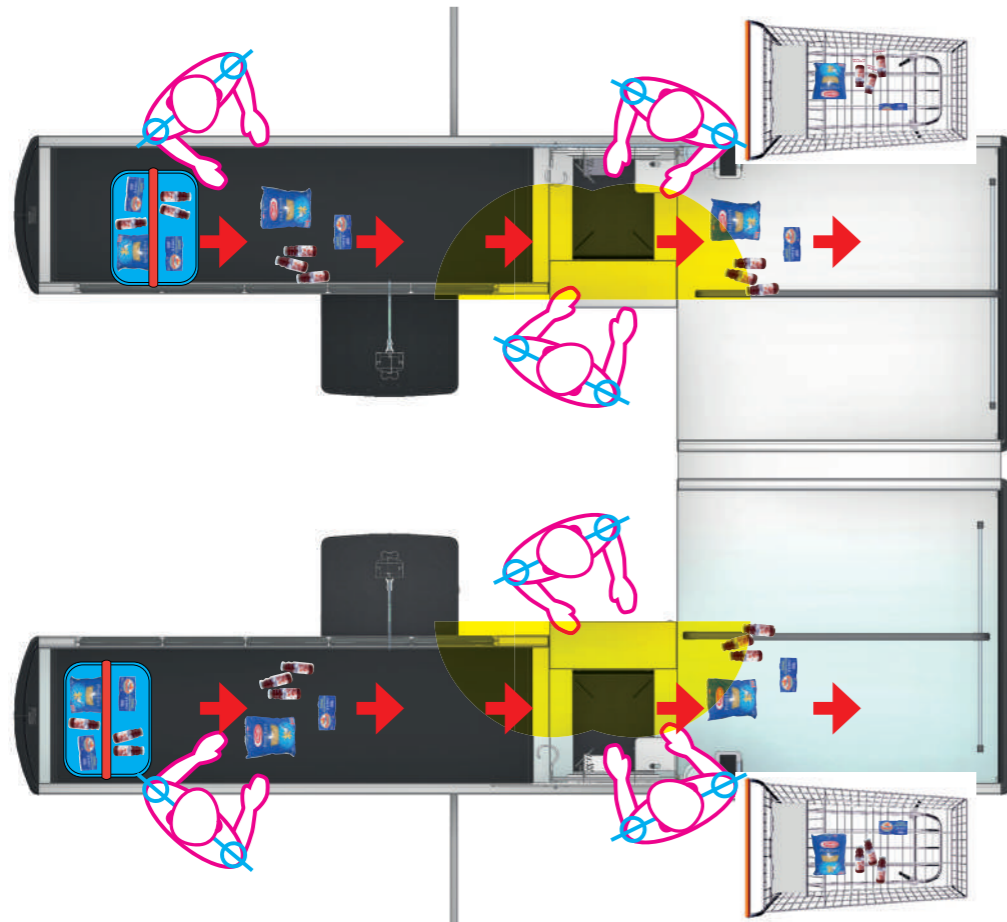
- OPERATOR
- OPERATOR/CUSTOMER
- CUSTOMER

RF/MAG TAG

Livello di Servizio al Cliente

- LOW
- NORMAL (EUROPEAN STANDARD)
- HIGH
- EXTRA FOR DISABLED
- EXTRA FOR PREGNANT
- EXTRA FOR ONE QUEUE

ERGONOMICS - grasping area



MODEL

Model	L (mm) standard* drawer	N (mm)	S (mm) standard* drawer	V (mm)	A (mm)	B (mm)	C (mm)	D (mm)	E (mm)	F (mm)	H (mm)
NSCV 205	2050	960	465	625	790	500	130	1150	575	375	870
NSCV 225	2250	960	465	825	800	500	120	1150	575	375	870
NSCV 245	2450	1160	465	825	800	500	320	1150	575	375	870
NSCV 265	2650	1360	465	825	800	500	520	1150	575	375	870
NSCV 285	2850	1360	465	1025	800	500	520	1150	575	375	870
NSCV 305	3050	1560	465	1025	800	500	720	1150	575	375	870
NSCV 325	3250	1560	465	1225	800	500	720	1150	575	375	870
NSCV 325	3250	1560	465	1225	800	500	720	1150	575	575	870

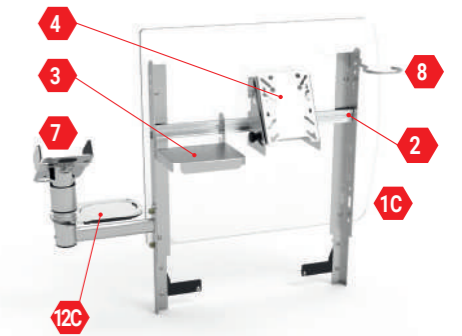
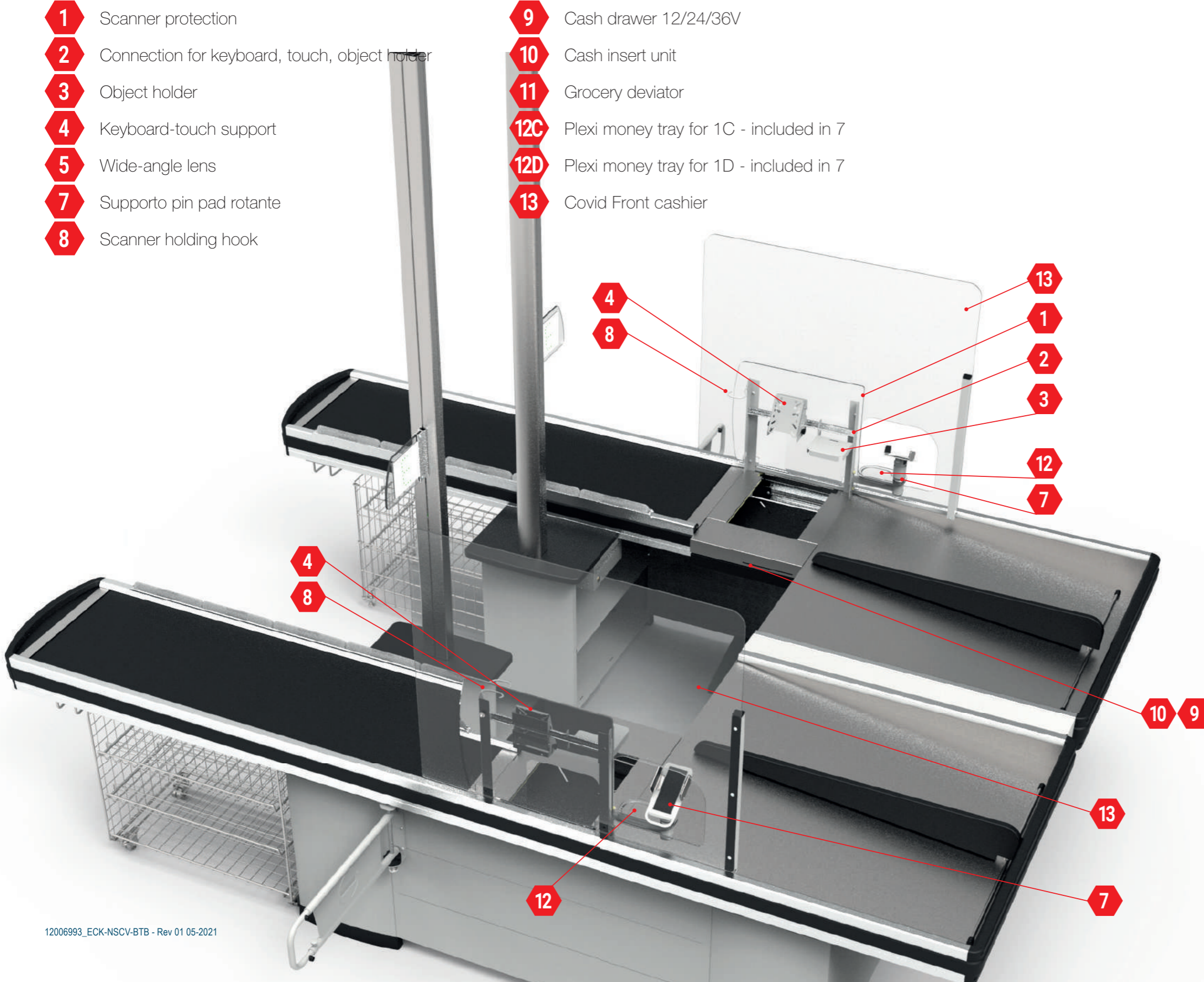
* Width = 460mm

12006993_ECK-NSCV-BTB - Rev 01 05-2021

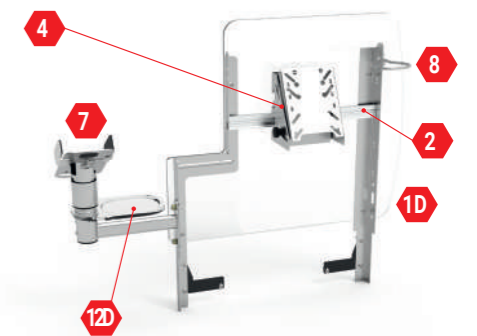
INTRAC®

FRONT CASHIER ACCESSORIES

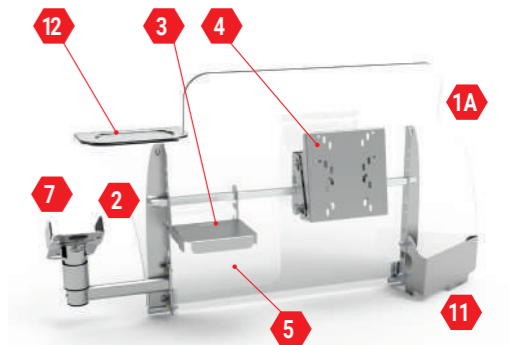
- 1** Scanner protection
- 2** Connection for keyboard, touch, object holder
- 3** Object holder
- 4** Keyboard-touch support
- 5** Wide-angle lens
- 7** Supporto pin pad rotante
- 8** Scanner holding hook
- 9** Cash drawer 12/24/36V
- 10** Cash insert unit
- 11** Grocery deviator
- 12C** Plexi money tray for 1C - included in 7
- 12D** Plexi money tray for 1D - included in 7
- 13** Covid Front cashier



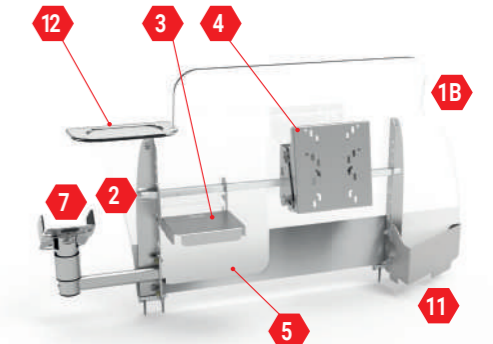
1C ECK scanner protection set



1D ECK-9800 scanner protection set



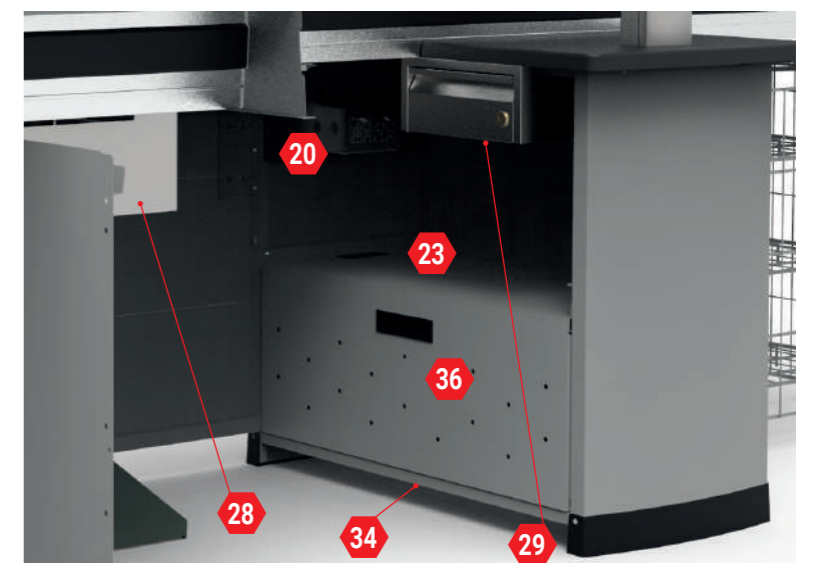
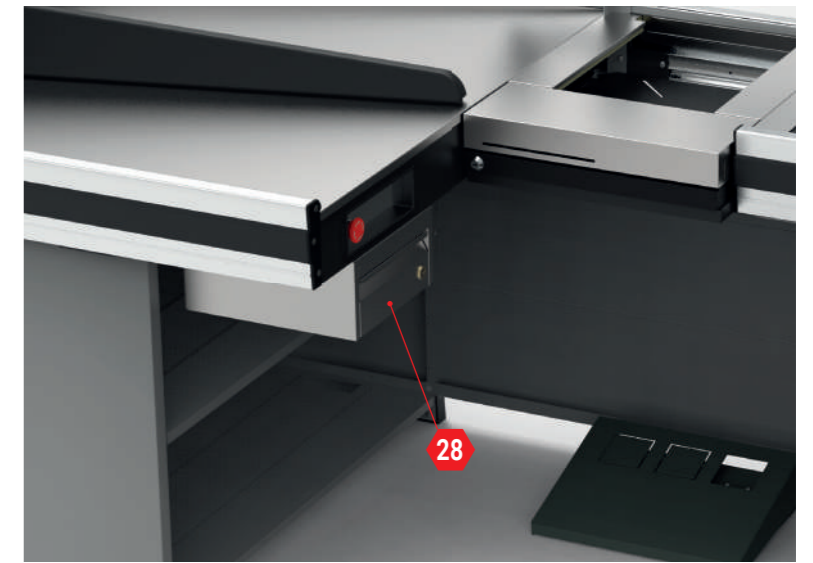
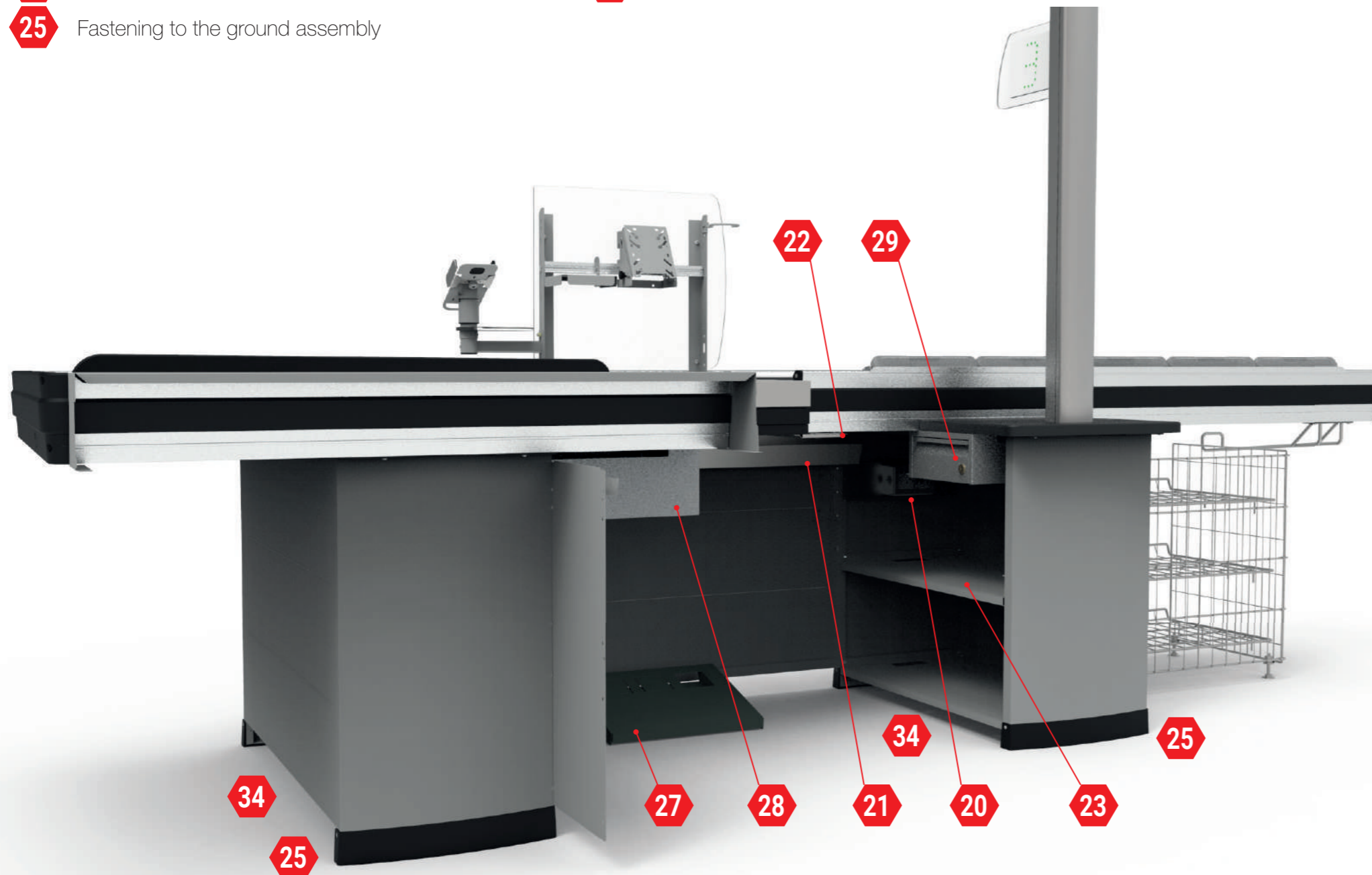
1A S-ELIPSE scanner protection set



1B S-ELIPSE scanner protection set with opaque set

CUSTOMER SERVICE ACCESSORIES

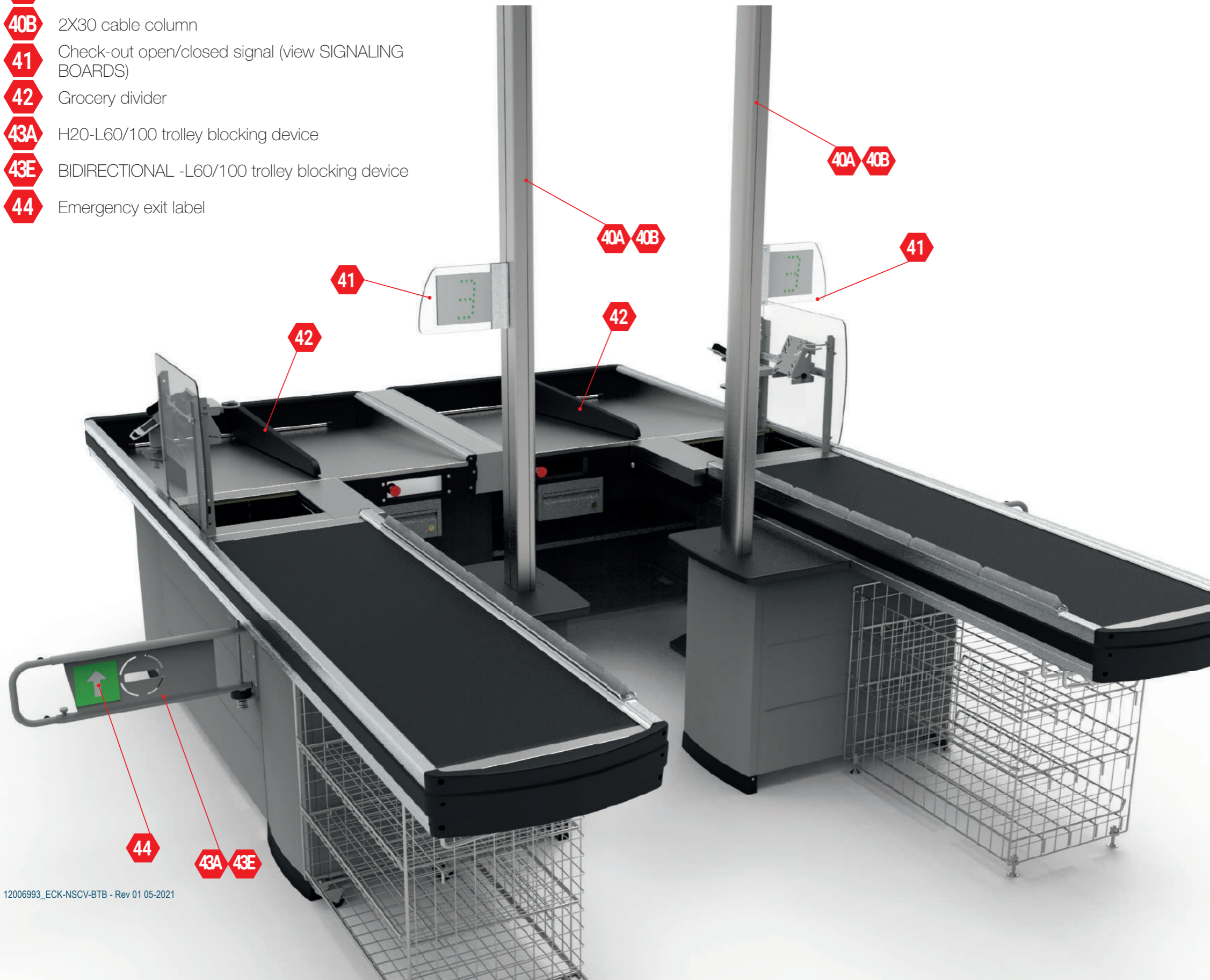
- 20A** Auxiliary socket 2 Schuko
- 20B** Auxiliary socket 4 Schuko
- 21** Additional cables support standard
- 22** Crumb collector with brush
- 23A** Front cpu-service fixed shelf
- 23B** Rear cpu-service fixed shelf
- 25** Fastening to the ground assembly
- 26** Check-out stool with back
- 27** Adjustable footboard with pedal housing
- 28** Under basin drawer
- 29** Under shelf drawer
- 34** Internal base leg integrated
- 36** Half-leg closing door with cpu-service fixed shelf



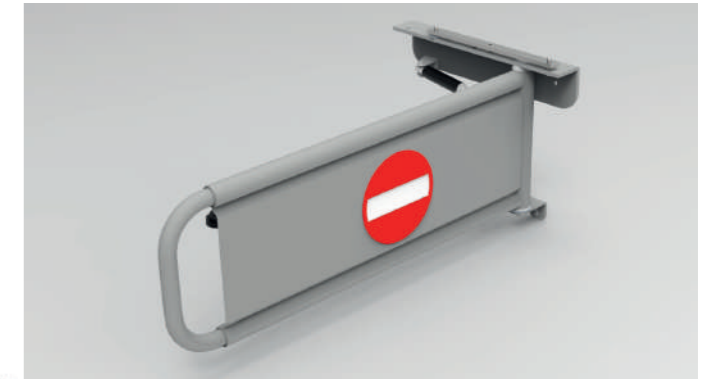
20 Auxiliary socket

FUNCTION ENHANCEMENT ACCESSORIES

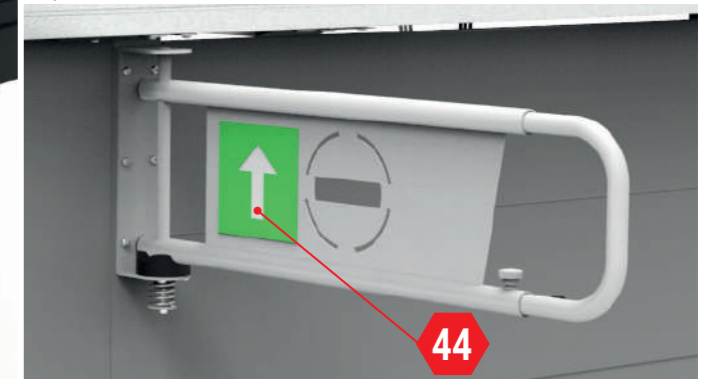
- 40A** 100X70 cable column
- 40B** 2X30 cable column
- 41** Check-out open/closed signal (view SIGNALING BOARDS)
- 42** Grocery divider
- 43A** H20-L60/100 trolley blocking device
- 43E** BIDIRECTIONAL -L60/100 trolley blocking device
- 44** Emergency exit label



40 Cable column



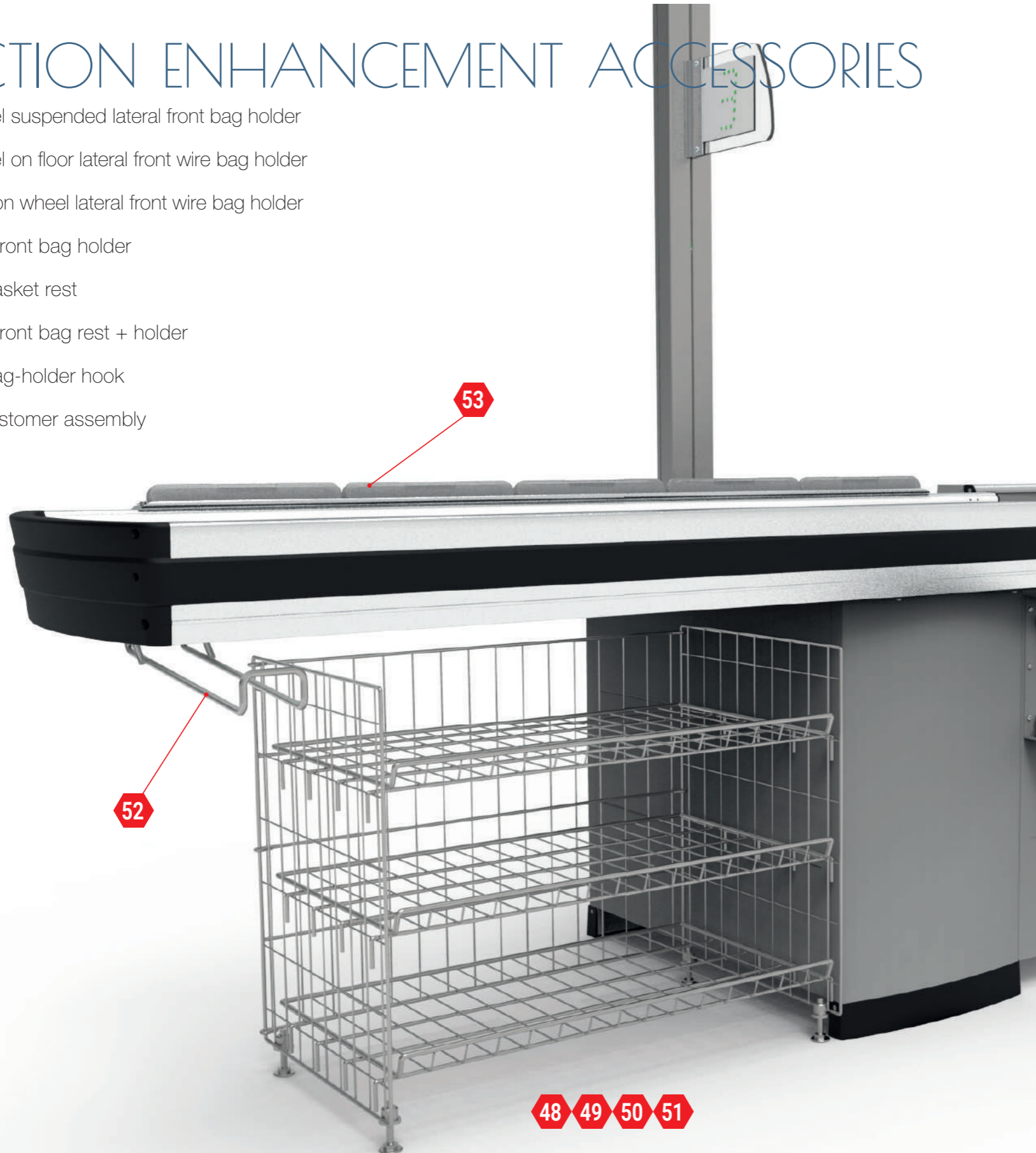
43A Trolley blocking device



43E BIDIRECTIONAL Trolley blocking device

FUNCTION ENHANCEMENT ACCESSORIES

- 48A** 2/3-level suspended lateral front bag holder
- 48B** 2/3-level on floor lateral front wire bag holder
- 48C** 3-level on wheel lateral front wire bag holder
- 49** 2-level front bag holder
- 50** Front basket rest
- 51** 2-level front bag rest + holder
- 52** Front bag-holder hook
- 53** Next customer assembly



FROM L265 TO L365

48A SUSPENDED



51



FROM L265 TO L365

48B ON FLOOR



49

FROM L245 TO L365

50

51 2-level front bag rest (**50**) + holder (**49**)



FROM L265 TO L365

48C ON WHEEL



FROM L245 TO L365

52 Front bag-holder hook

48 49 50 51

ECK

CHECK-OUT COUNTER LINE

A simple and defined style characterises the new Intrac check-out counters line.

ECK line is featured by high level components and technology, that guarantee the quality standard of the brand.

According to different requires we can customise the check out in its aesthetic and functional aspect, improving the workplace conditions and the purchasing experience.



CHECK-OUT COUNTER LINE

ECK NSCVD

- Area**
- HYPERSTORE
 - SUPERSTORE
 - CONVENIENCE STORE
 - SPECIALISED SHOP
 - DISCOUNT
 - CASH & CARRY

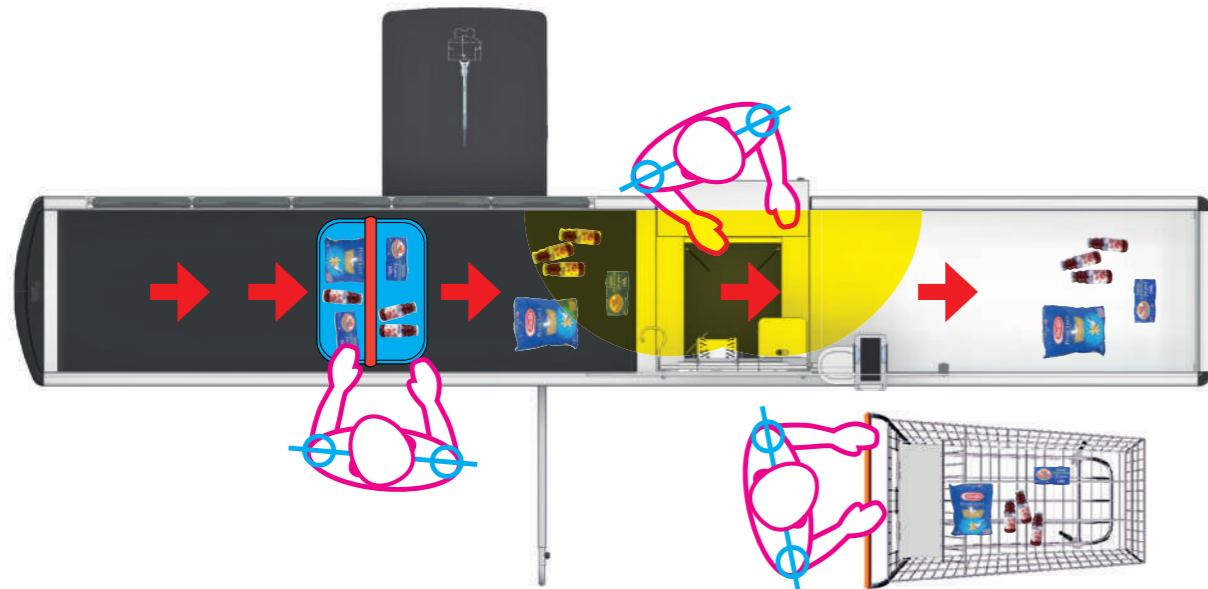
- Medium Receipt Entity**
- <20 €
 - 20÷40 €
 - >40 €

- Ergonomics Operator**
- BASSA
 - MEDIUM
 - ALTA

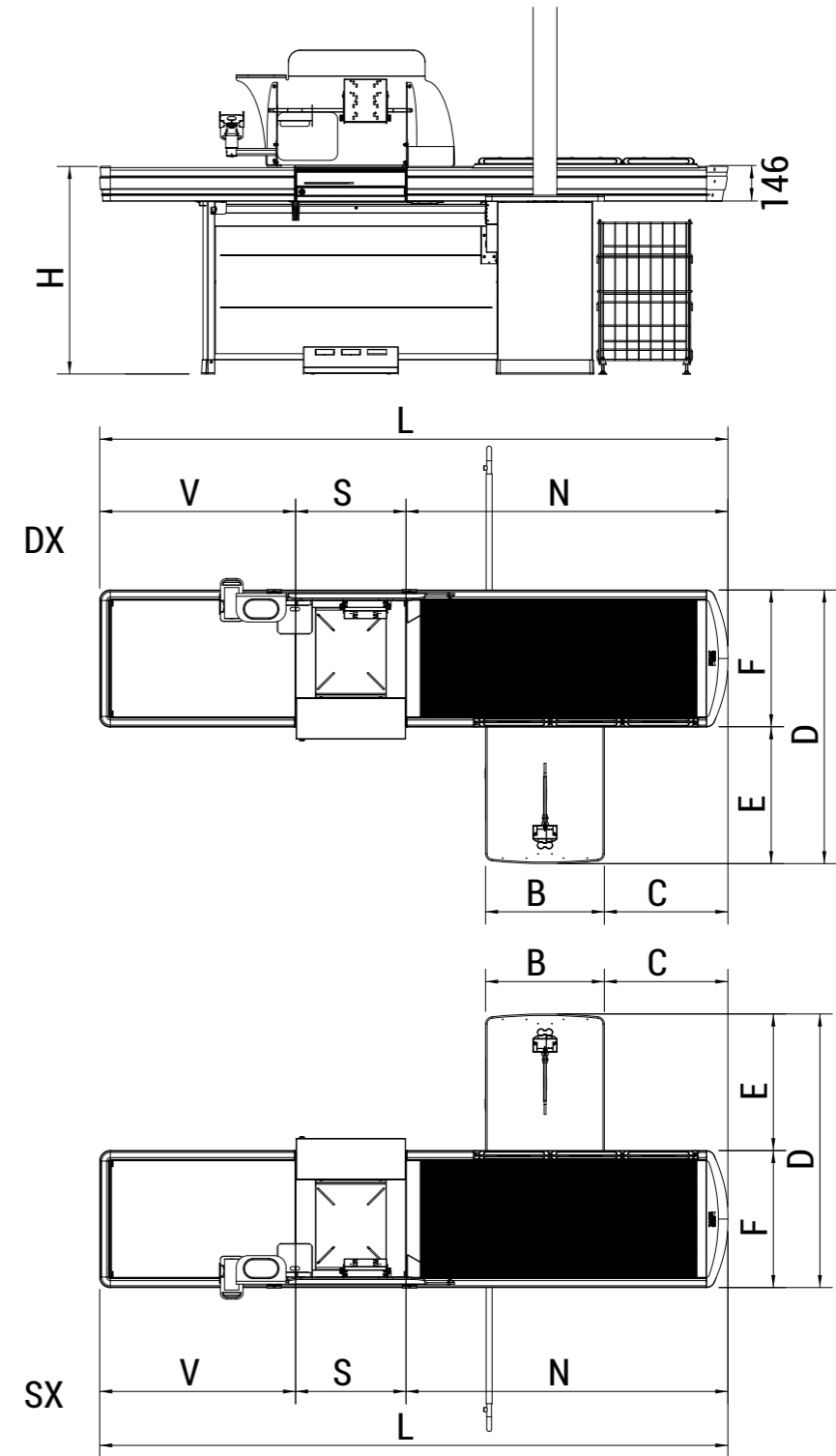
- Control Level**
- CASHIER
 - DIY
 - SELF SCAN
 - AUTOMATIC SCAN
 - TROLLEY
- CASH MANAGEMENT
- OPERATOR
 - OPERATOR/CUSTOMER
 - CUSTOMER
- RF/MAG TAG

- Livello di Servizio al Cliente**
- LOW
 - NORMAL (EUROPEAN STANDARD)
 - HIGH
 - EXTRA FOR DISABLED
 - EXTRA FOR PREGNANT
 - EXTRA FOR ONE QUEUE

ERGONOMICS - grasping area



EXIT



MODEL

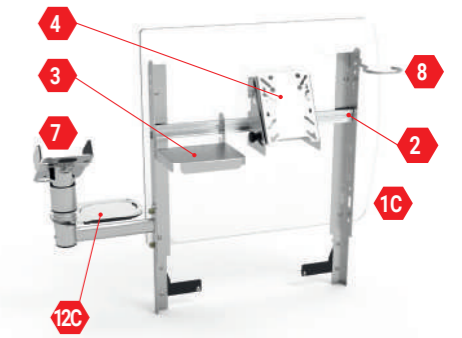
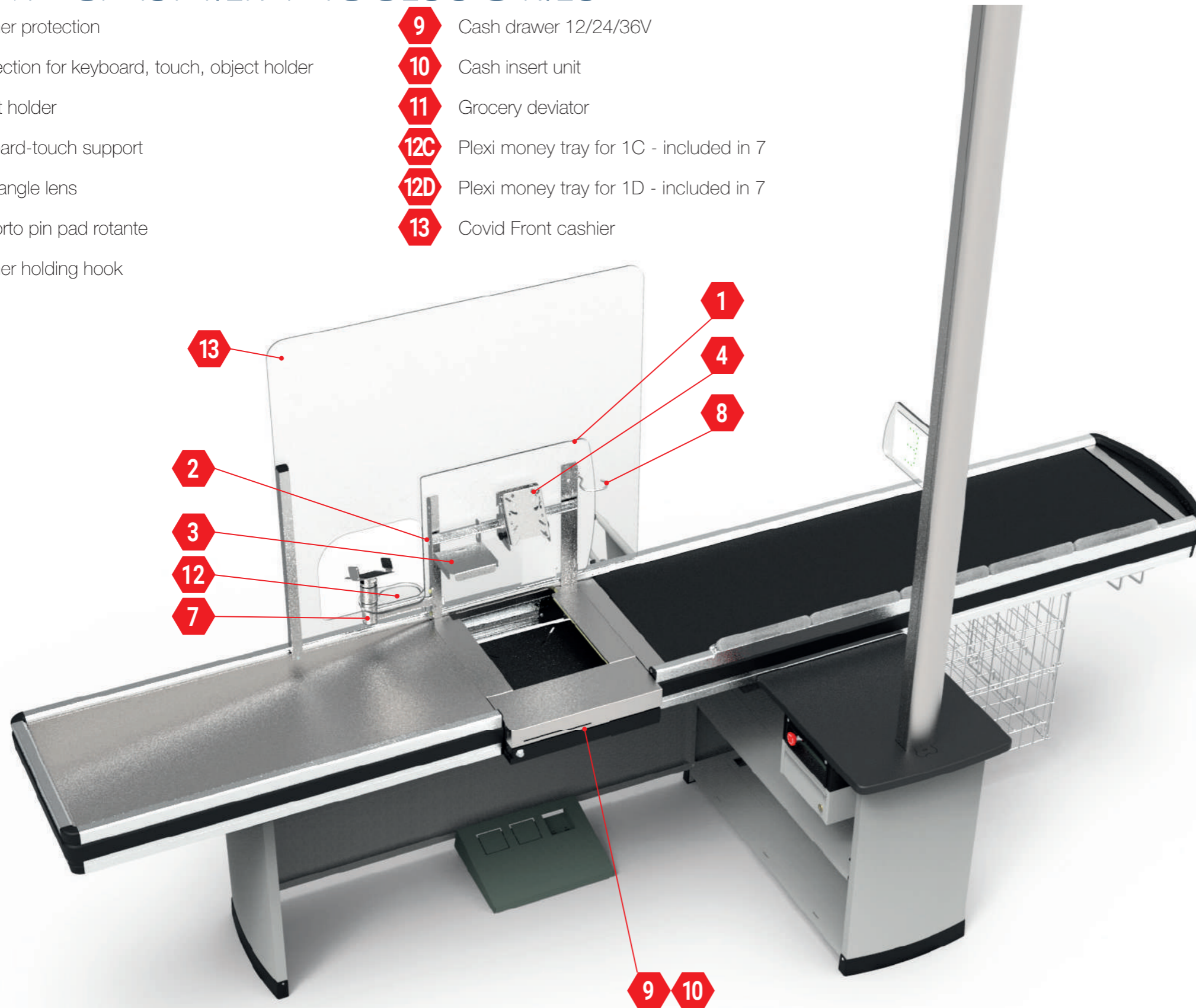
Model	L (mm) standard* drawer	N (mm)	S (mm) standard* drawer	V (mm)	A (mm)	B (mm)	C (mm)	D (mm)	E (mm)	F (mm)	H (mm)
NSCVD 185	1850	760	465	625		500	120	1150	575	575	870
NSCVD 205	2050	960	465	625		500	120	1150	575	575	870
NSCVD 225	2250	960	465	825		500	120	1150	575	575	870
NSCVD 245	2450	1160	465	825		500	320	1150	575	575	870
NSCVD 265	2650	1360	465	825		500	520	1150	575	575	870
NSCVD 285	2850	1360	465	1025		500	520	1150	575	575	870
NSCVD 305	3050	1560	465	1025		500	720	1150	575	575	870
NSCVD 325	3250	1560	465	1225		500	720	1150	575	575	870

* Width = 460mm

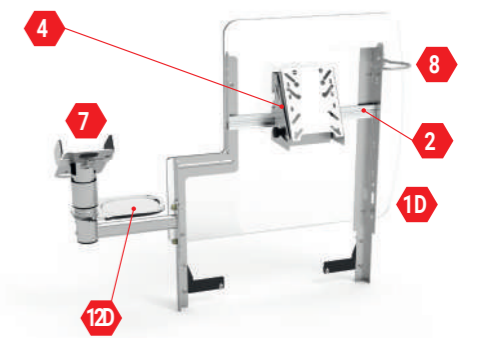
12006995_ECK-NSCVD - Rev 01 05-2021

FRONT CASHIER ACCESSORIES

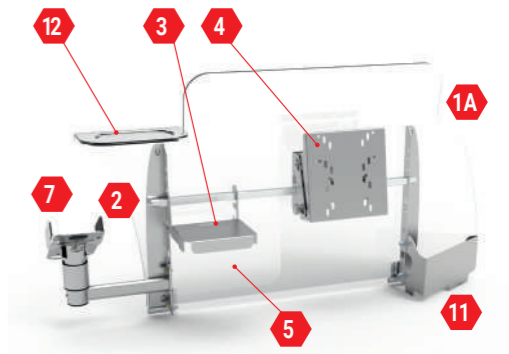
- 1** Scanner protection
- 2** Connection for keyboard, touch, object holder
- 3** Object holder
- 4** Keyboard-touch support
- 5** Wide-angle lens
- 7** Supporto pin pad rotante
- 8** Scanner holding hook
- 9** Cash drawer 12/24/36V
- 10** Cash insert unit
- 11** Grocery deviator
- 12C** Plexi money tray for 1C - included in 7
- 12D** Plexi money tray for 1D - included in 7
- 13** Covid Front cashier



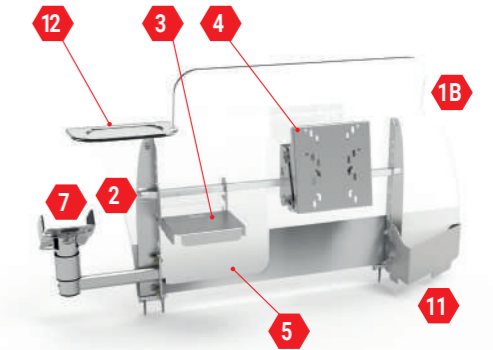
1C ECK scanner protection set



1D ECK-9800 scanner protection set



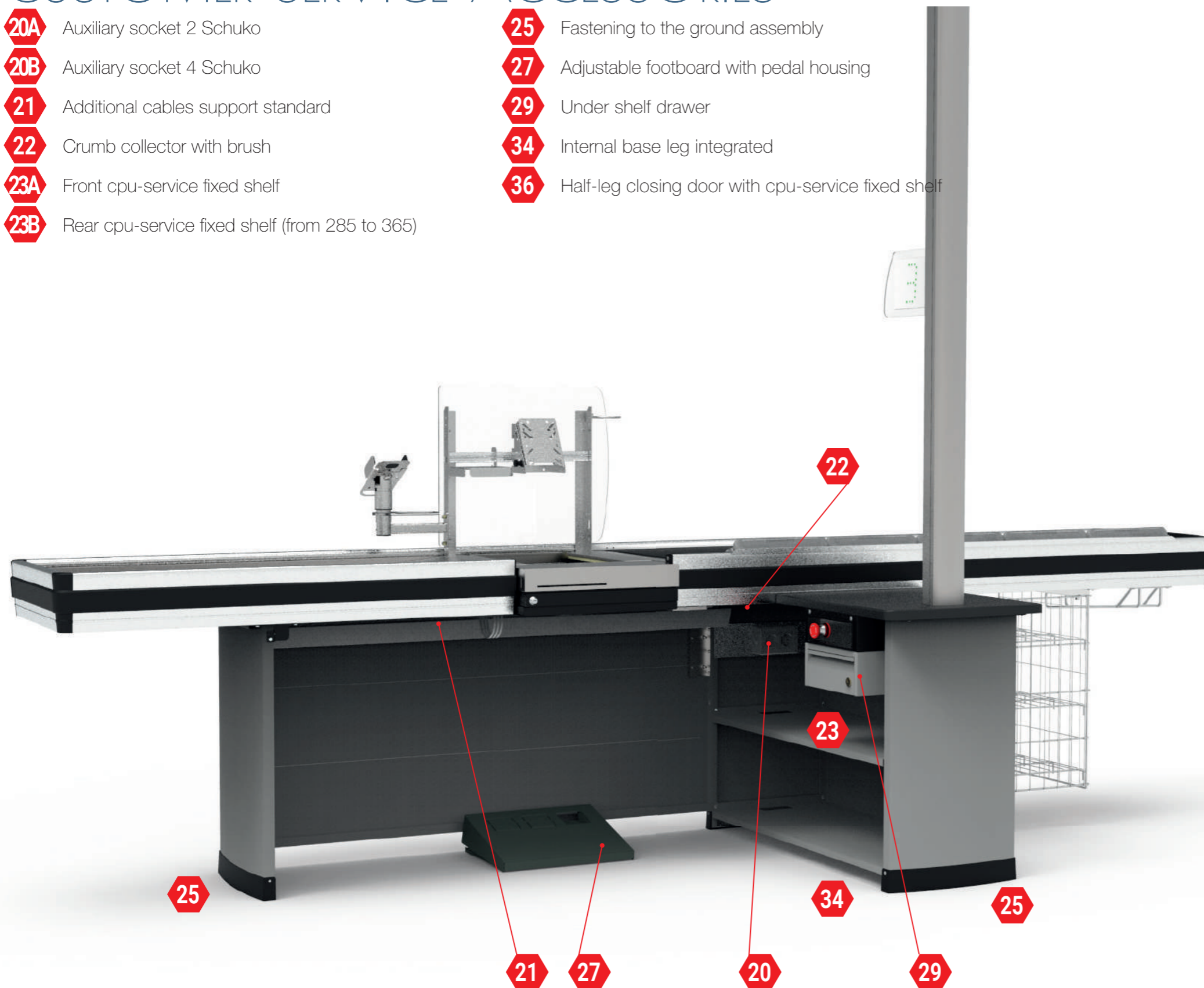
1A S-ELIPSE scanner protection set



1B S-ELIPSE scanner protection set with opaque set

CUSTOMER SERVICE ACCESSORIES

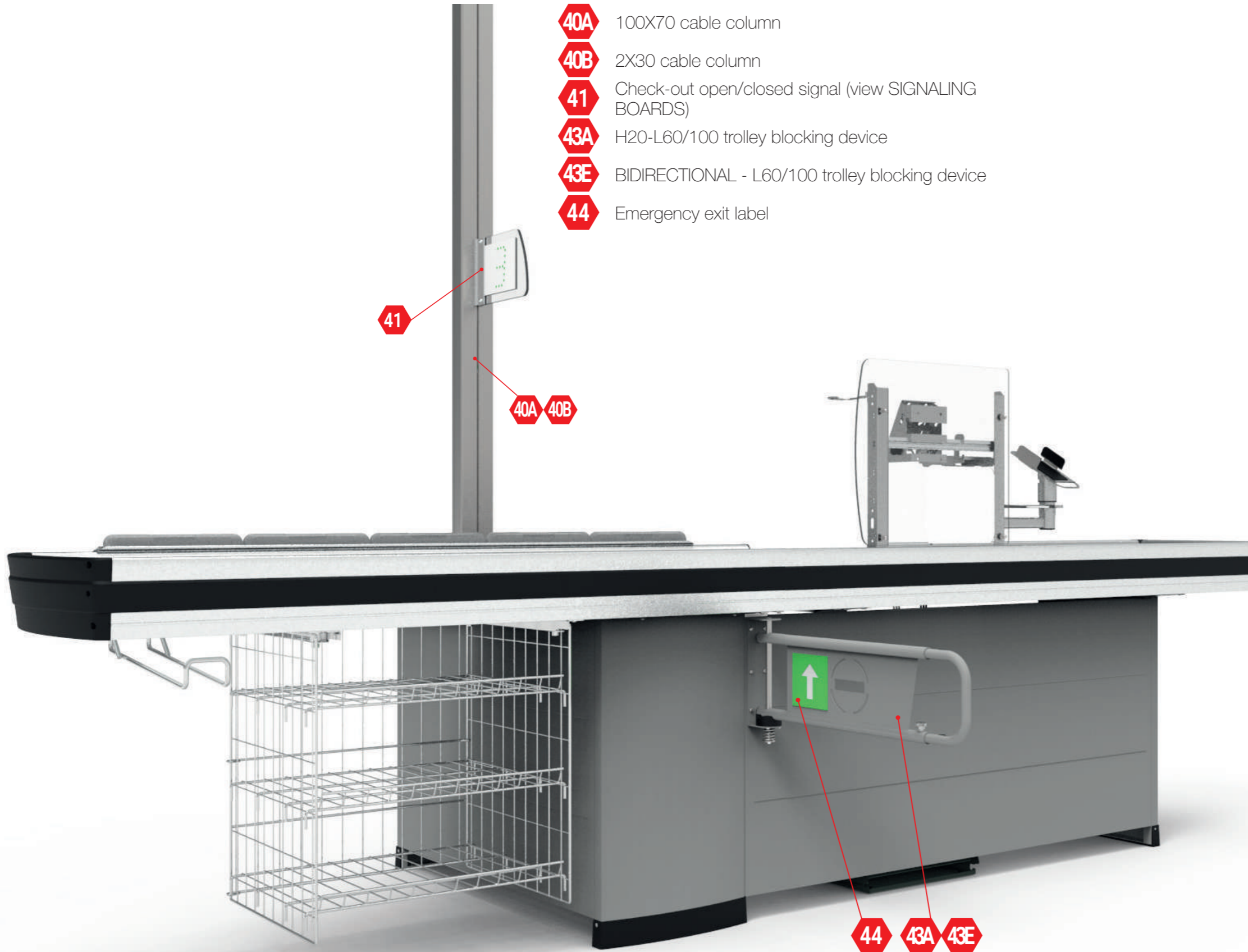
- 20A** Auxiliary socket 2 Schuko
- 20B** Auxiliary socket 4 Schuko
- 21** Additional cables support standard
- 22** Crumb collector with brush
- 23A** Front cpu-service fixed shelf
- 23B** Rear cpu-service fixed shelf (from 285 to 365)
- 25** Fastening to the ground assembly
- 27** Adjustable footboard with pedal housing
- 29** Under shelf drawer
- 34** Internal base leg integrated
- 36** Half-leg closing door with cpu-service fixed shelf



20 Auxiliary socket

FUNCTION ENHANCEMENT ACCESSORIES

- 40A** 100X70 cable column
- 40B** 2X30 cable column
- 41** Check-out open/closed signal (view SIGNALING BOARDS)
- 43A** H20-L60/100 trolley blocking device
- 43E** BIDIRECTIONAL - L60/100 trolley blocking device
- 44** Emergency exit label



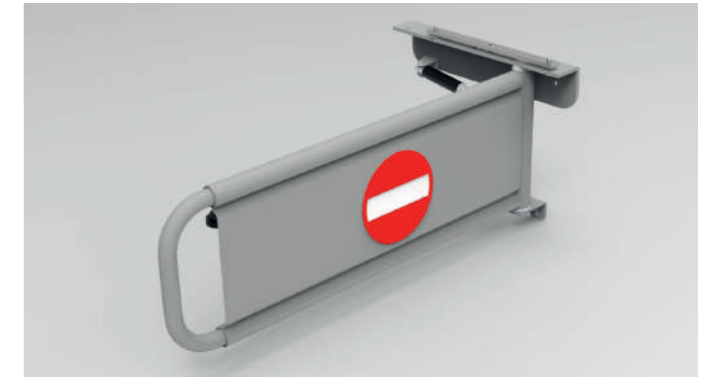
40A



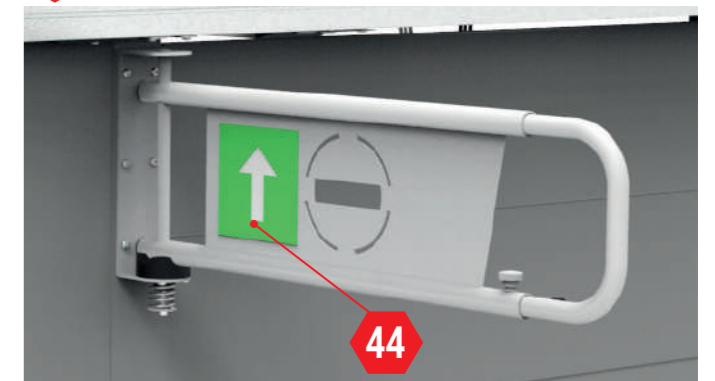
40B



40 Cable column



43A Trolley blocking device



43E BIDIRECTIONAL trolley blocking device

FUNCTION ENHANCEMENT ACCESSORIES

- 48A** 2/3-level suspended lateral front bag holder
- 48B** 2/3-level on floor lateral front wire bag holder
- 48C** 3-level on wheel lateral front wire bag holder
- 49** 2-level front bag holder
- 50** Front basket rest
- 51** 2-level front bag rest + holder
- 52** Front bag-holder hook
- 53** Next customer assembly



48 49 50 51



FROM L265 TO L365

48A SUSPENDED



51



FROM L265 TO L365

48B ON FLOOR



49

FROM L245 TO L365

50

51 2-level front bag rest (**50**) + holder (**49**)



FROM L265 TO L365

48C ON WHEEL



FROM L245 TO L365

52 Front bag-holder hook

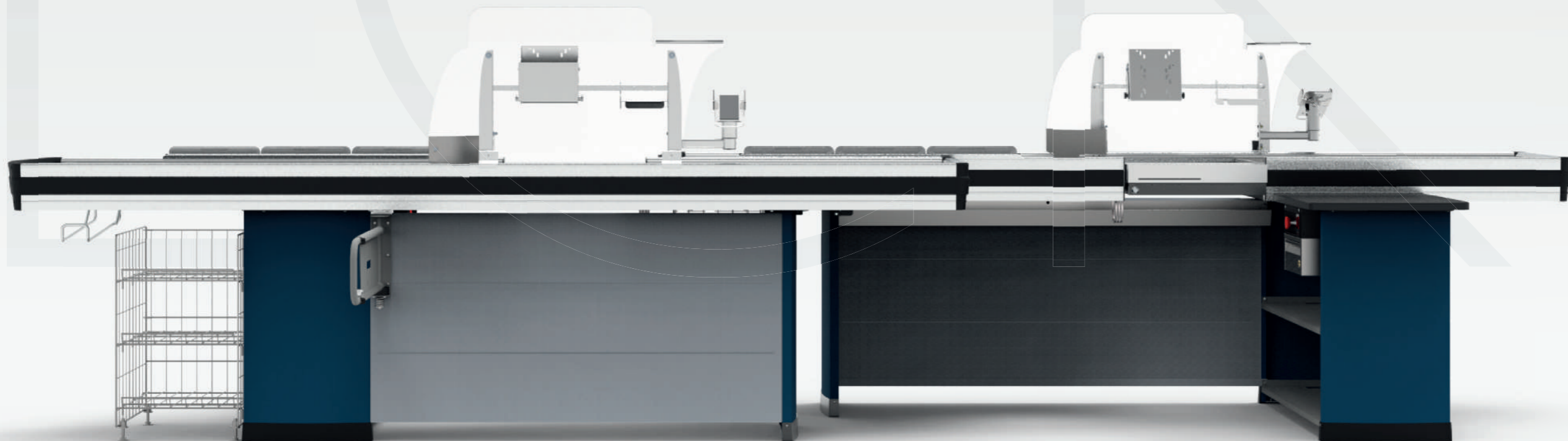
ECK

CHECK-OUT COUNTER LINE

A simple and defined style characterises the new Intrac check-out counters line.

ECK line is featured by high level components and technology, that guarantee the quality standard of the brand.

According to different requires we can customise the check out in its aesthetic and functional aspect, improving the workplace conditions and the purchasing experience.



INTRAC[®]

CHECK-OUT COUNTER LINE

ECK TANDEM-M

Area

- HYPERSTORE
- SUPERSTORE
- CONVENIENCE STORE
- SPECIALISED SHOP
- DISCOUNT
- CASH & CARRY

Medium Receipt Entity

- <20 €
- 20÷40 €
- >40 €

Ergonomics Operator

- BASSA
- MEDIUM
- ALTA

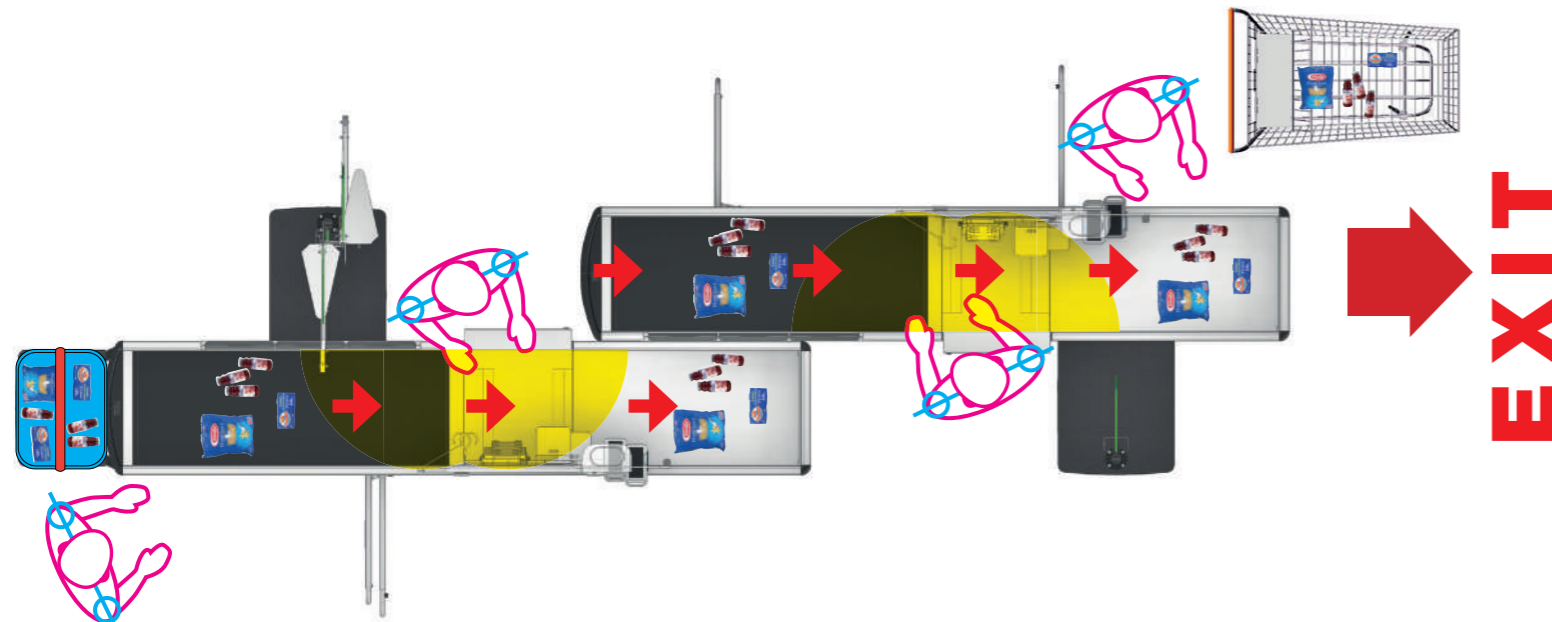
Control Level

- CASHIER
- DIY
- SELF SCAN
- AUTOMATIC SCAN
- TROLLEY
- CASH MANAGEMENT
- RF/MAG TAG
- OPERATOR
- OPERATOR/CUSTOMER
- CUSTOMER

Livello di Servizio al Cliente

- LOW
- NORMAL (EUROPEAN STANDARD)
- HIGH
- EXTRA FOR DISABLED
- EXTRA FOR PREGNANT
- EXTRA FOR ONE QUEUE

ERGONOMICS - grasping area

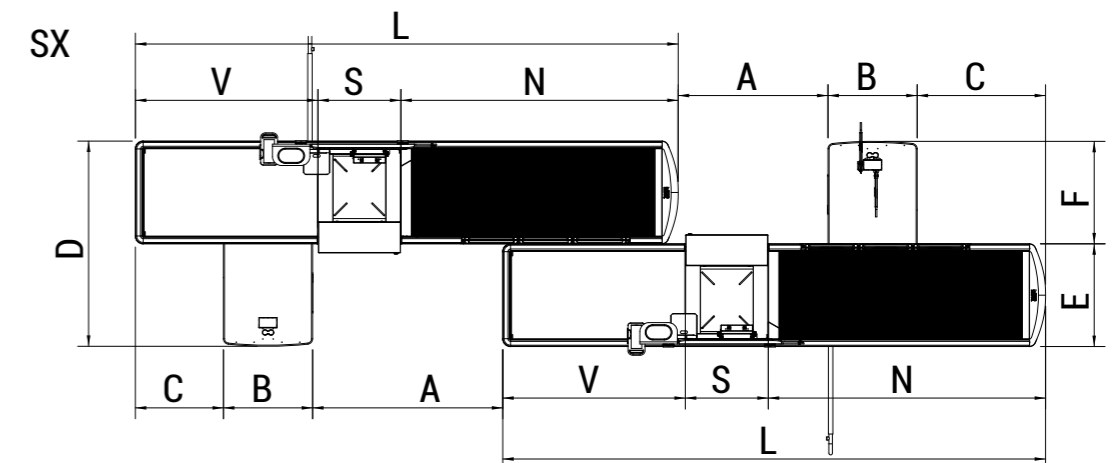
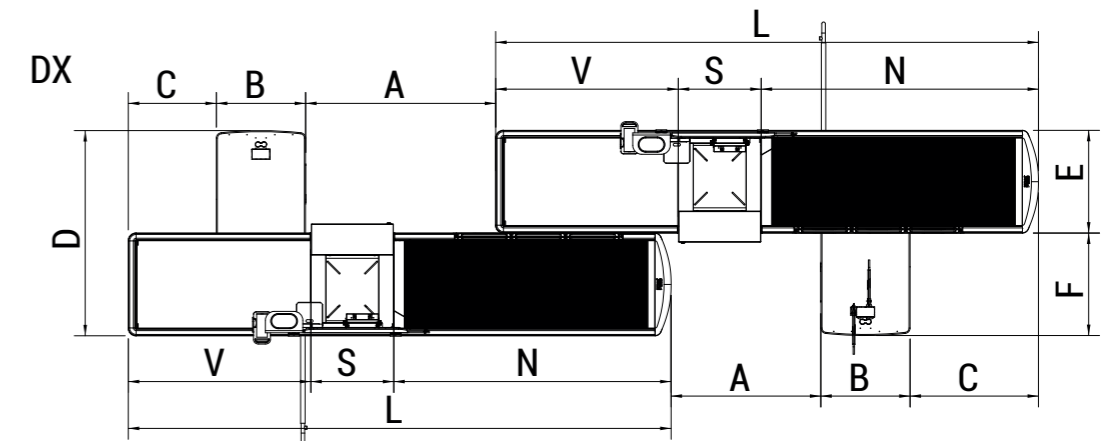
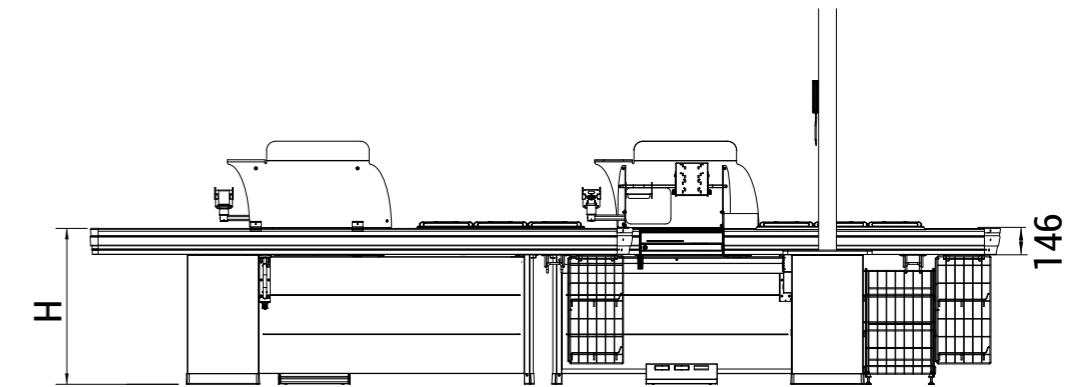


MODEL

Model	L (mm) standard* drawer	N (mm)	S (mm) standard* drawer	V (mm)	A (mm)	B (mm)	C (mm)	D (mm)	E (mm)	F (mm)	H (mm)
TANDEM 327 R	1850	760	465	625	885	500	40	1150	575	575	870
TANDEM 327 L	1850	760	465	625	880	500	45	1150	575	575	870
TANDEM 357 R	2050	960	465	625	905	500	120	1150	575	575	870
TANDEM 357 L	2050	960	465	625	950	500	75	1150	575	575	870
TANDEM 387 R	2250	960	465	825	905	500	220	1150	575	575	870
TANDEM 387 L	2250	960	465	825	1050	500	75	1150	575	575	870
TANDEM 417 R	2450	1160	465	825	905	500	320	1150	575	575	870
TANDEM 417 L	2450	1160	465	825	930	500	295	1150	575	575	870
TANDEM 457 R	2650	1360	465	825	905	500	520	1150	575	575	870
TANDEM 457 L	2650	1360	465	825	1130	500	295	1150	575	575	870
TANDEM 487 R	2850	1360	465	1025	1005	500	520	1150	575	575	870
TANDEM 487 L	2850	1360	465	1025	1130	500	395	1150	575	575	870
TANDEM 517 R	3050	1560	465	1025	905	500	720	1150	575	575	870
TANDEM 517 L	3050	1560	465	1025	1130	500	495	1150	575	575	870

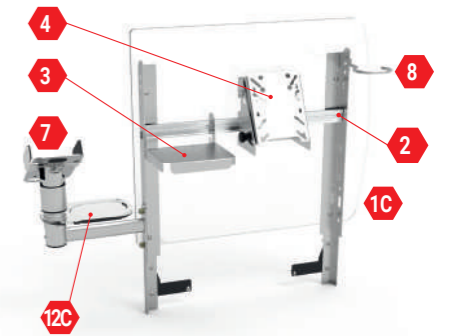
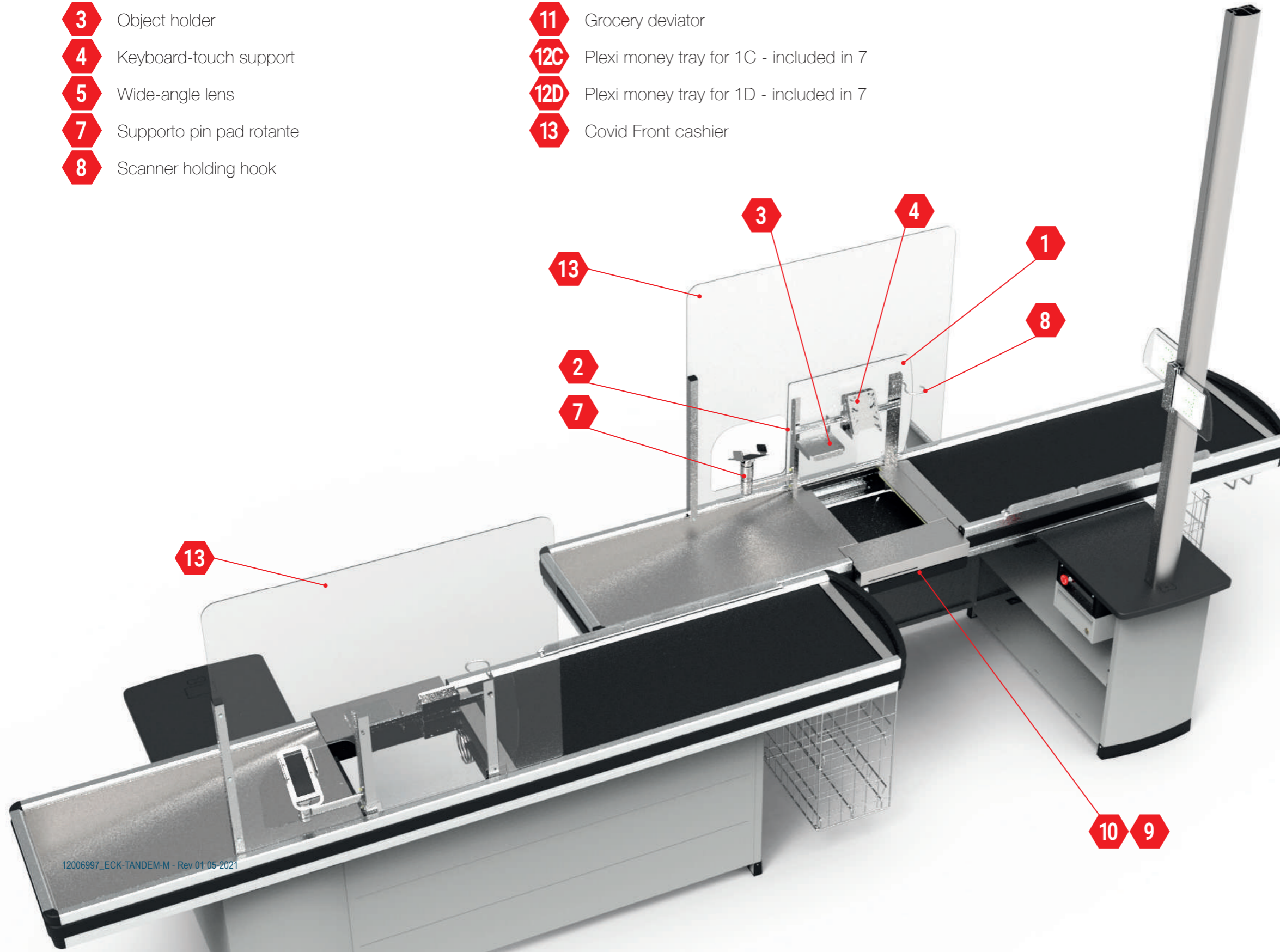
* Width = 460mm

12006997_ECK-TANDEM-M - Rev 01 05-2021

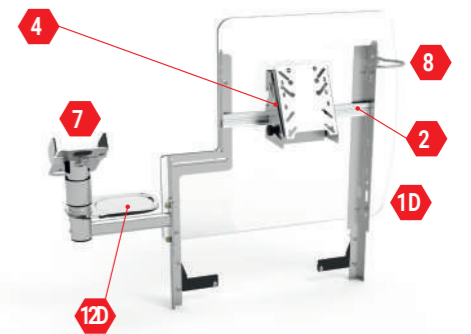


FRONT CASHIER ACCESSORIES

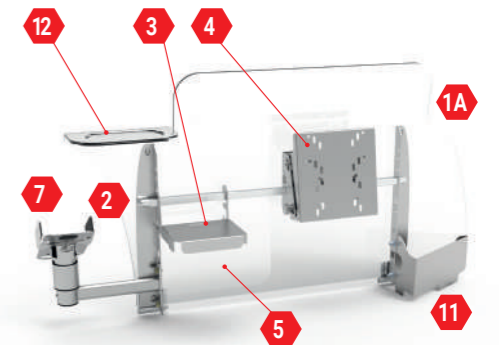
- 1** Scanner protection
- 2** Connection for keyboard, touch, object holder
- 3** Object holder
- 4** Keyboard-touch support
- 5** Wide-angle lens
- 7** Supporto pin pad rotante
- 8** Scanner holding hook
- 9** Cash drawer 12/24/36V
- 10** Cash insert unit
- 11** Grocery deviator
- 12C** Plexi money tray for 1C - included in 7
- 12D** Plexi money tray for 1D - included in 7
- 13** Covid Front cashier



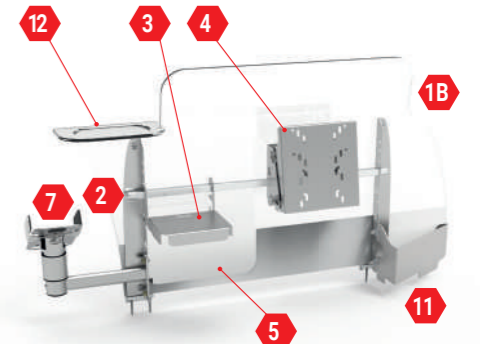
1C ECK scanner protection set



1D ECK-9800 scanner protection set



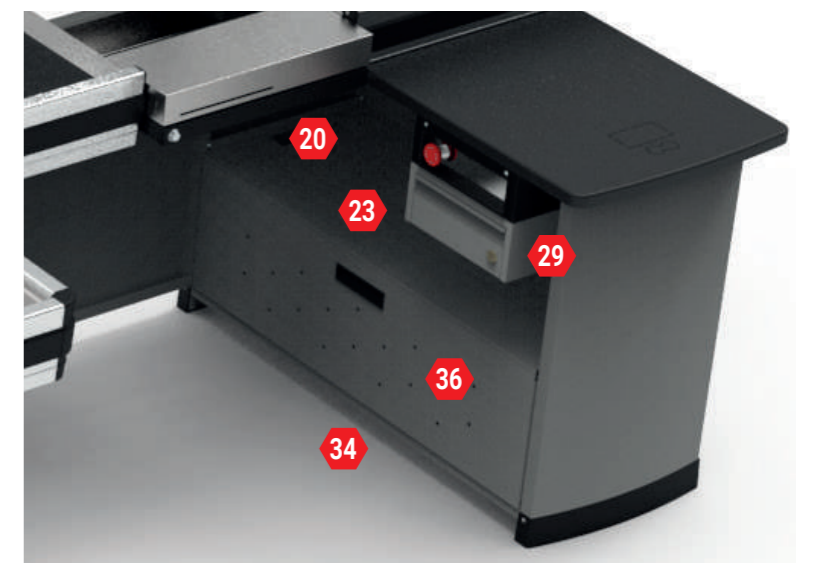
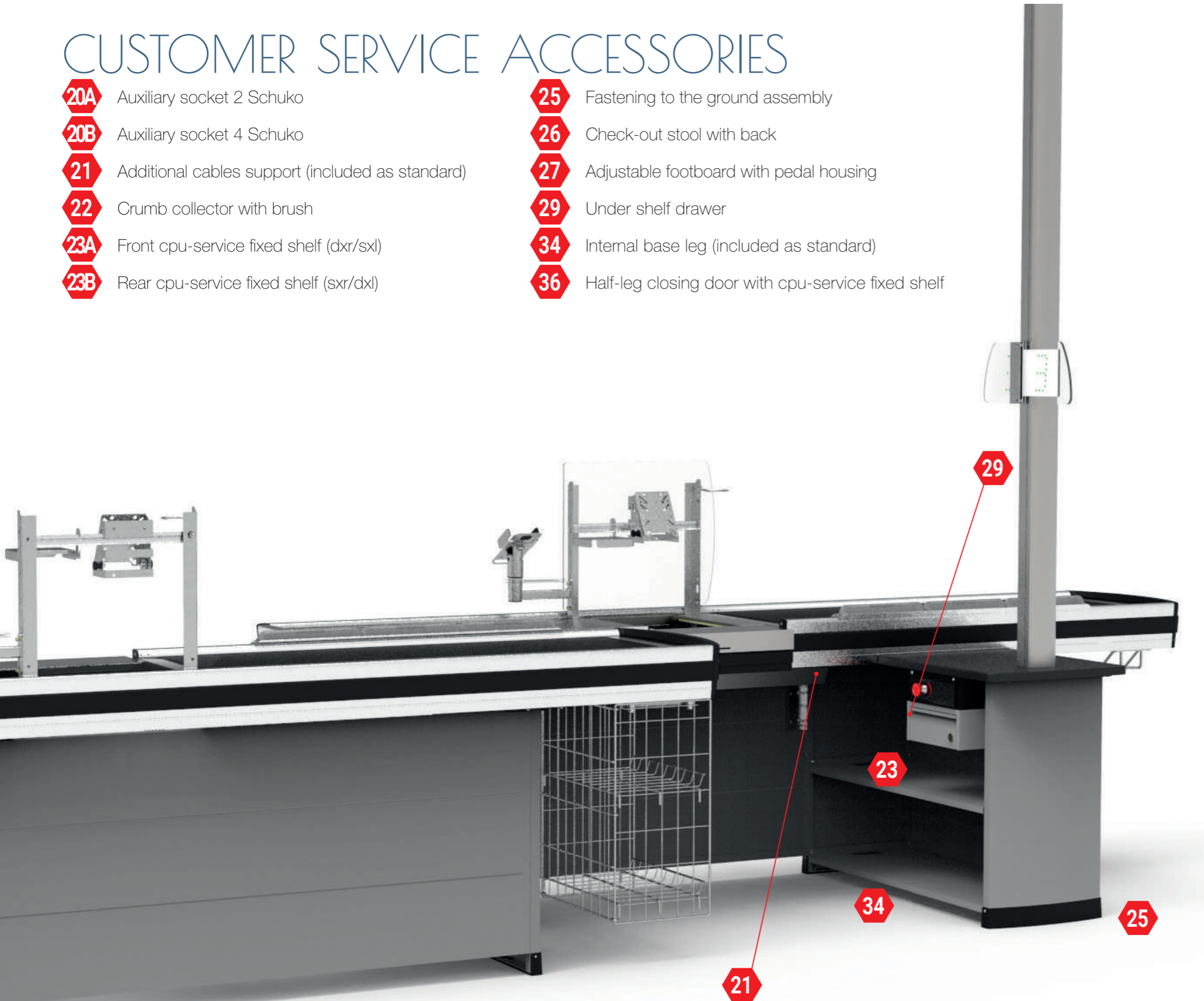
1A S-ELIPSE scanner protection set



1B S-ELIPSE scanner protection set with opaque set

CUSTOMER SERVICE ACCESSORIES

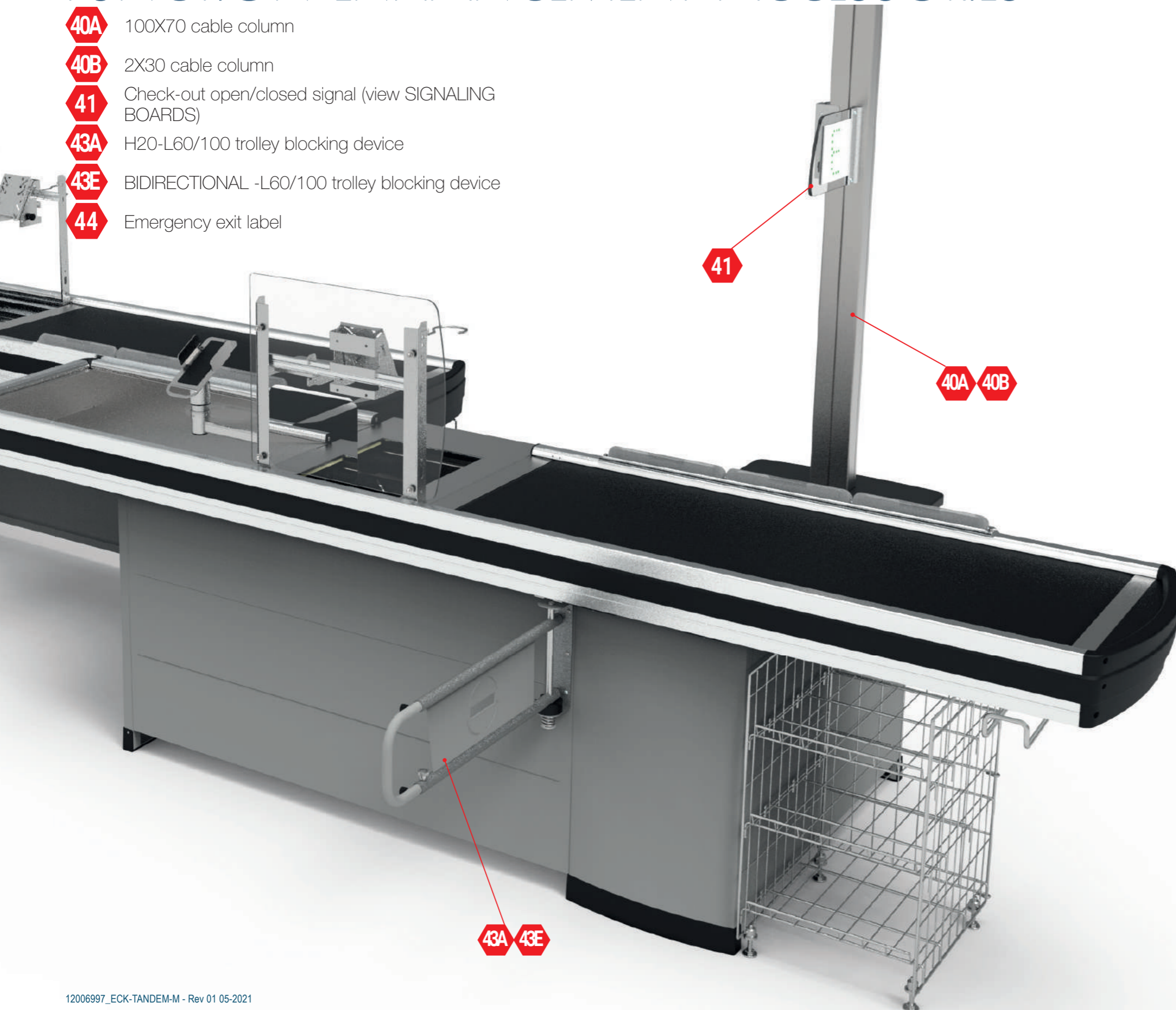
- 20A** Auxiliary socket 2 Schuko
- 20B** Auxiliary socket 4 Schuko
- 21** Additional cables support (included as standard)
- 22** Crumb collector with brush
- 23A** Front cpu-service fixed shelf (dxr/sxl)
- 23B** Rear cpu-service fixed shelf (sxr/dxl)
- 25** Fastening to the ground assembly
- 26** Check-out stool with back
- 27** Adjustable footboard with pedal housing
- 29** Under shelf drawer
- 34** Internal base leg (included as standard)
- 36** Half-leg closing door with cpu-service fixed shelf



20 Auxiliary socket

FUNCTION ENHANCEMENT ACCESSORIES

- 40A** 100X70 cable column
- 40B** 2X30 cable column
- 41** Check-out open/closed signal (view SIGNALING BOARDS)
- 43A** H20-L60/100 trolley blocking device
- 43E** BIDIRECTIONAL -L60/100 trolley blocking device
- 44** Emergency exit label



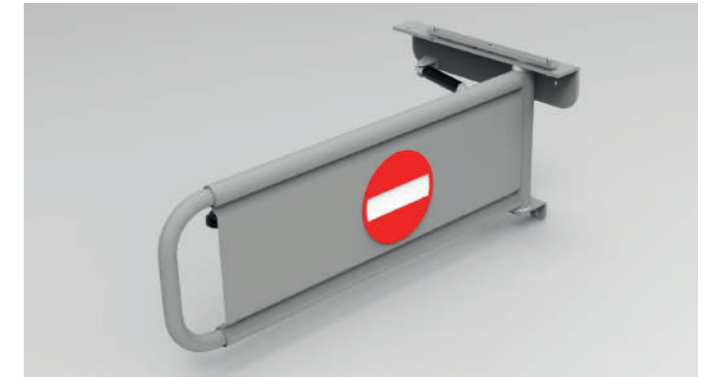
40A



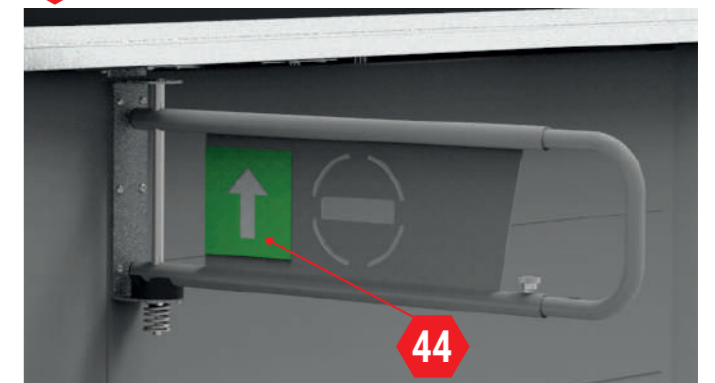
40B



40 Cable column



43A Trolley blocking device



43E BIDIRECTIONAL trolley blocking device

41

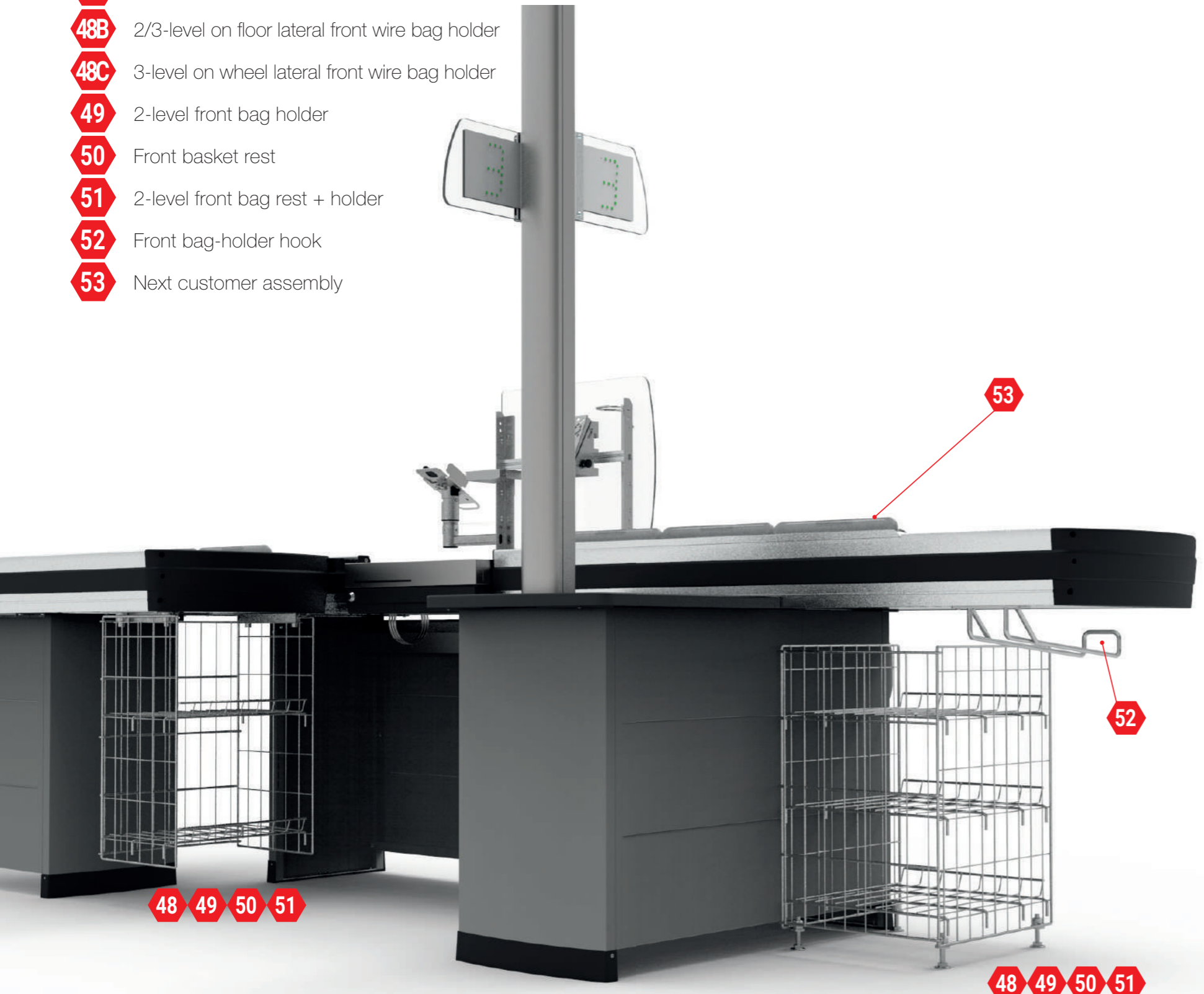
40A 40B

43A 43E

44

FUNCTION ENHANCEMENT ACCESSORIES

- 48A** 2/3-level suspended lateral front bag holder
- 48B** 2/3-level on floor lateral front wire bag holder
- 48C** 3-level on wheel lateral front wire bag holder
- 49** 2-level front bag holder
- 50** Front basket rest
- 51** 2-level front bag rest + holder
- 52** Front bag-holder hook
- 53** Next customer assembly



FROM L457 TO L517

48A SUSPENDED



51



49

FROM L417 TO L517

50



FROM L457 TO L517

48B ON FLOOR

51 2-level front bag rest (**50**) + holder (**49**)



FROM L457 TO L517

48C ON WHEEL



FROM L387 TO L517

52 Front bag-holder hook

48 49 50 51

48 49 50 51

INTRAC
RETAIL SOLUTIONS

45100 ROVIGO - Italy - Via A. Grandi, 24 - Tel. +39 0425 363666 - Fax +39 0425 363600
e-mail: info@intrac.it
www.intrac.it